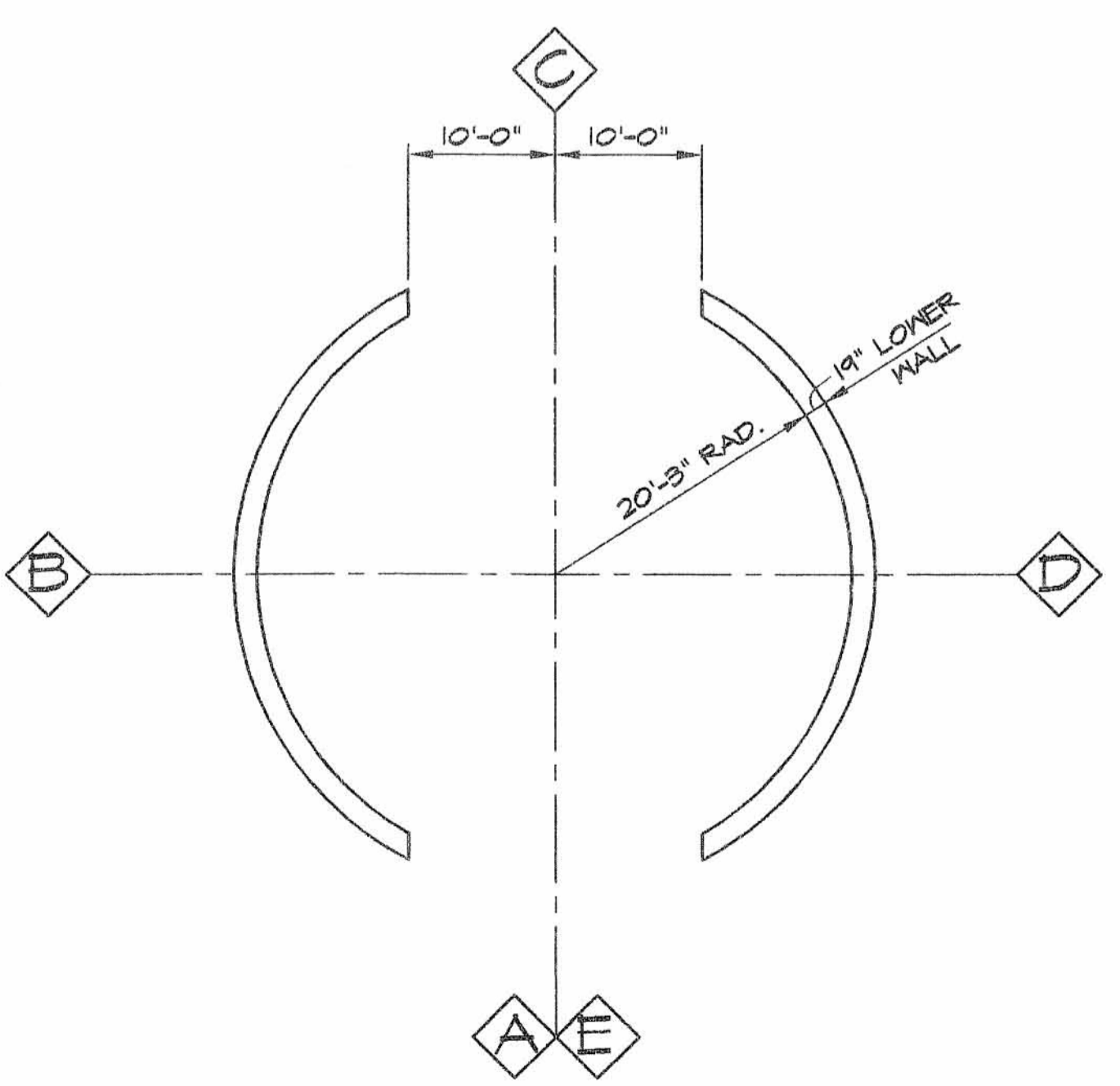
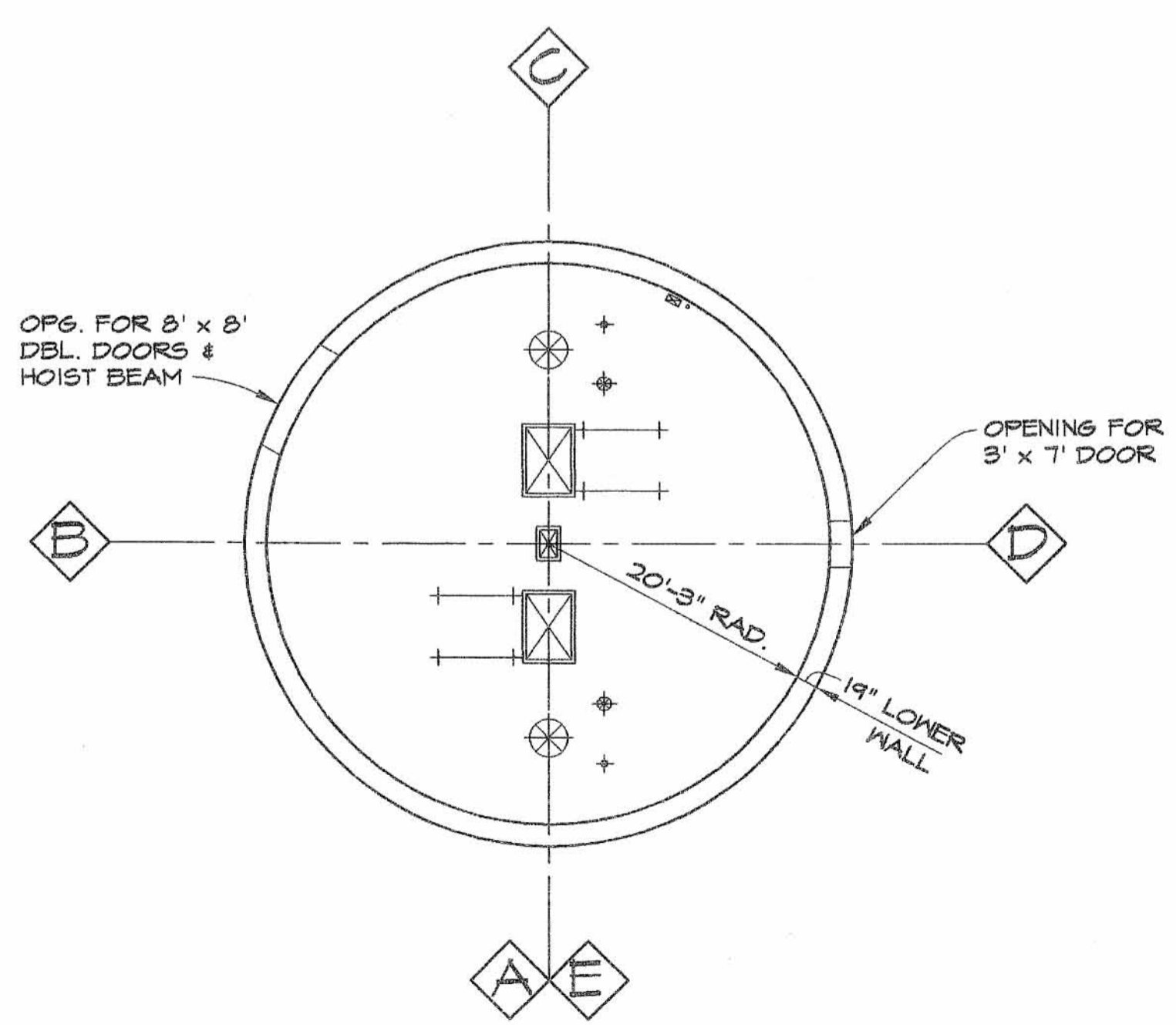
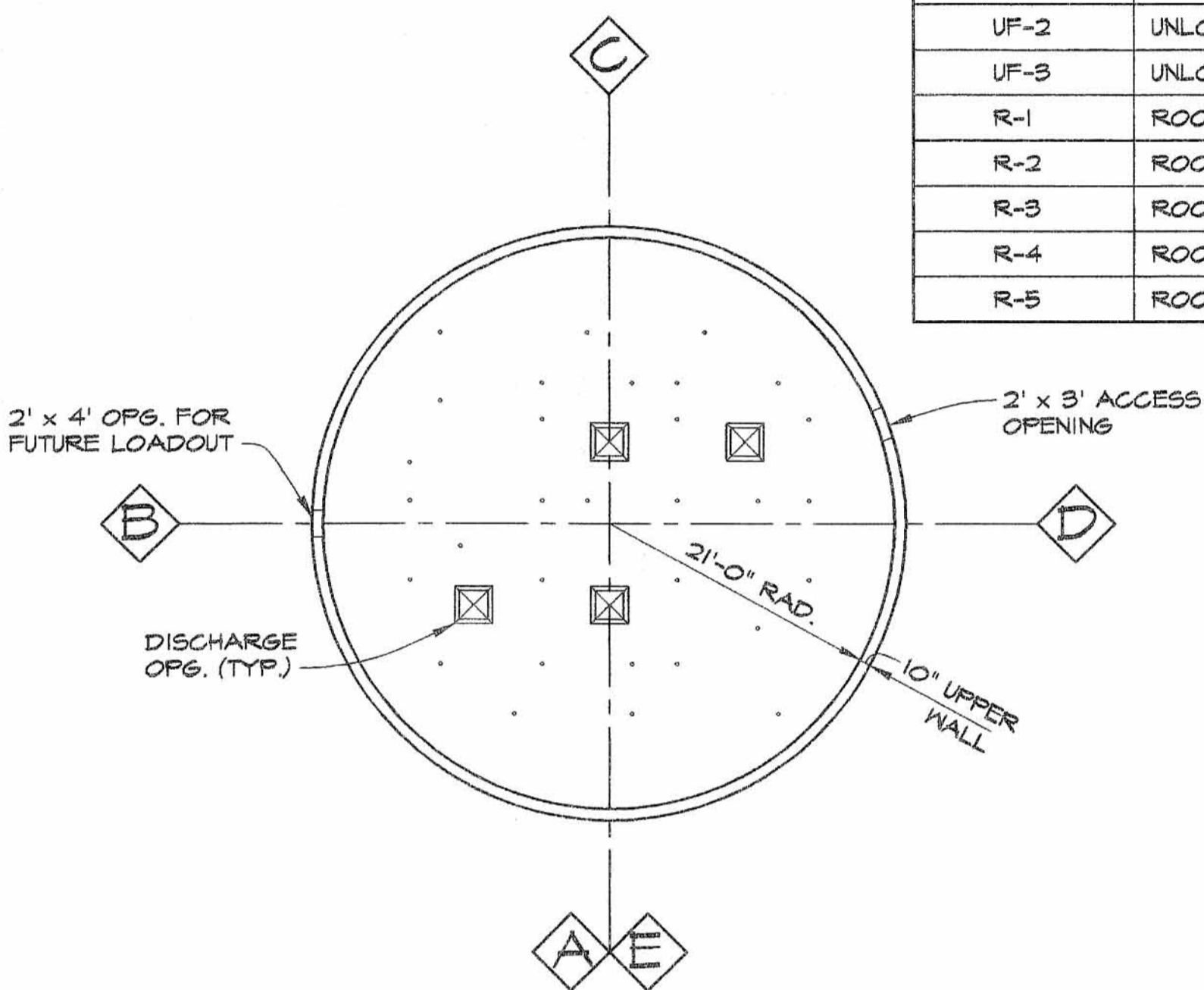
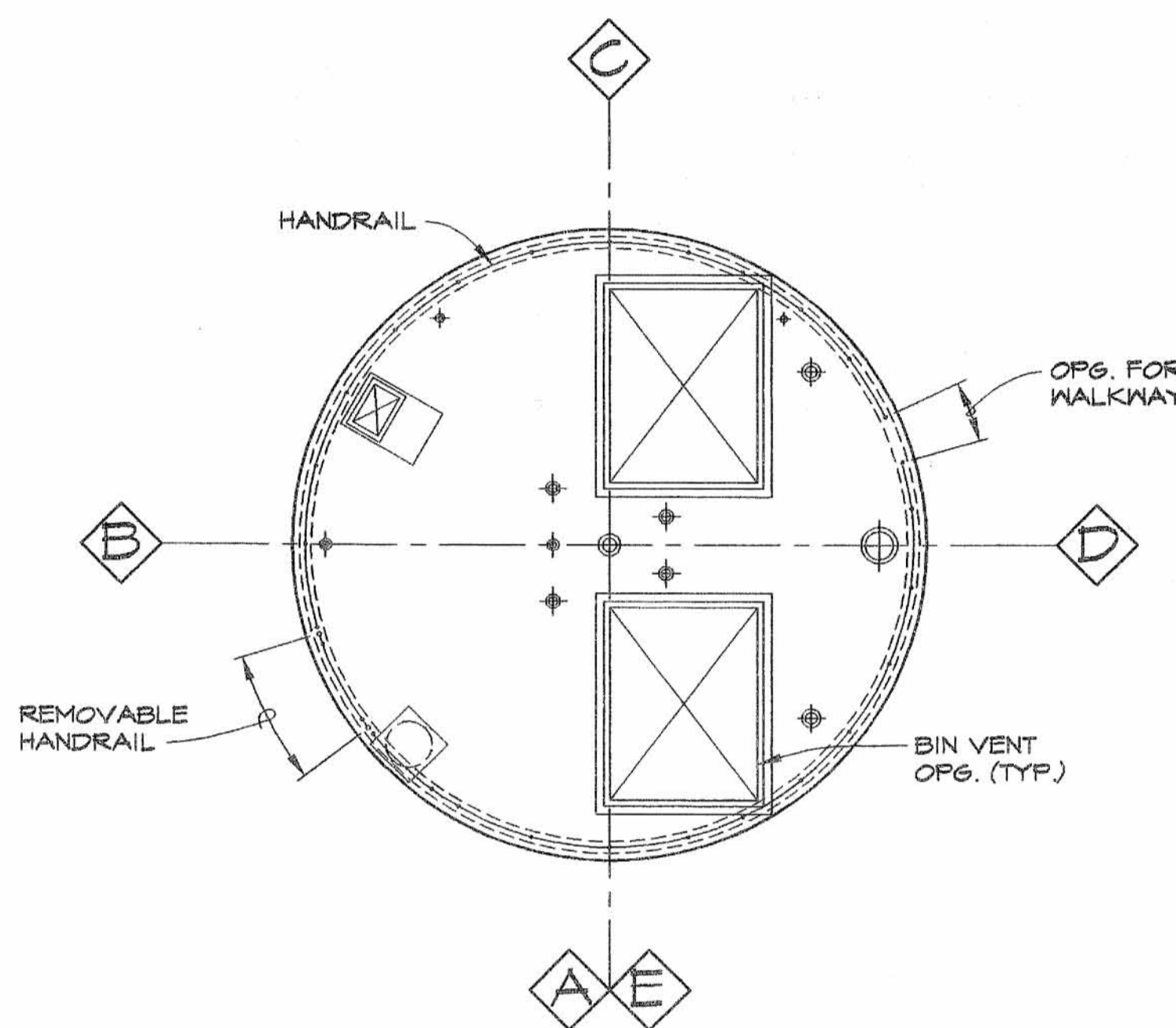
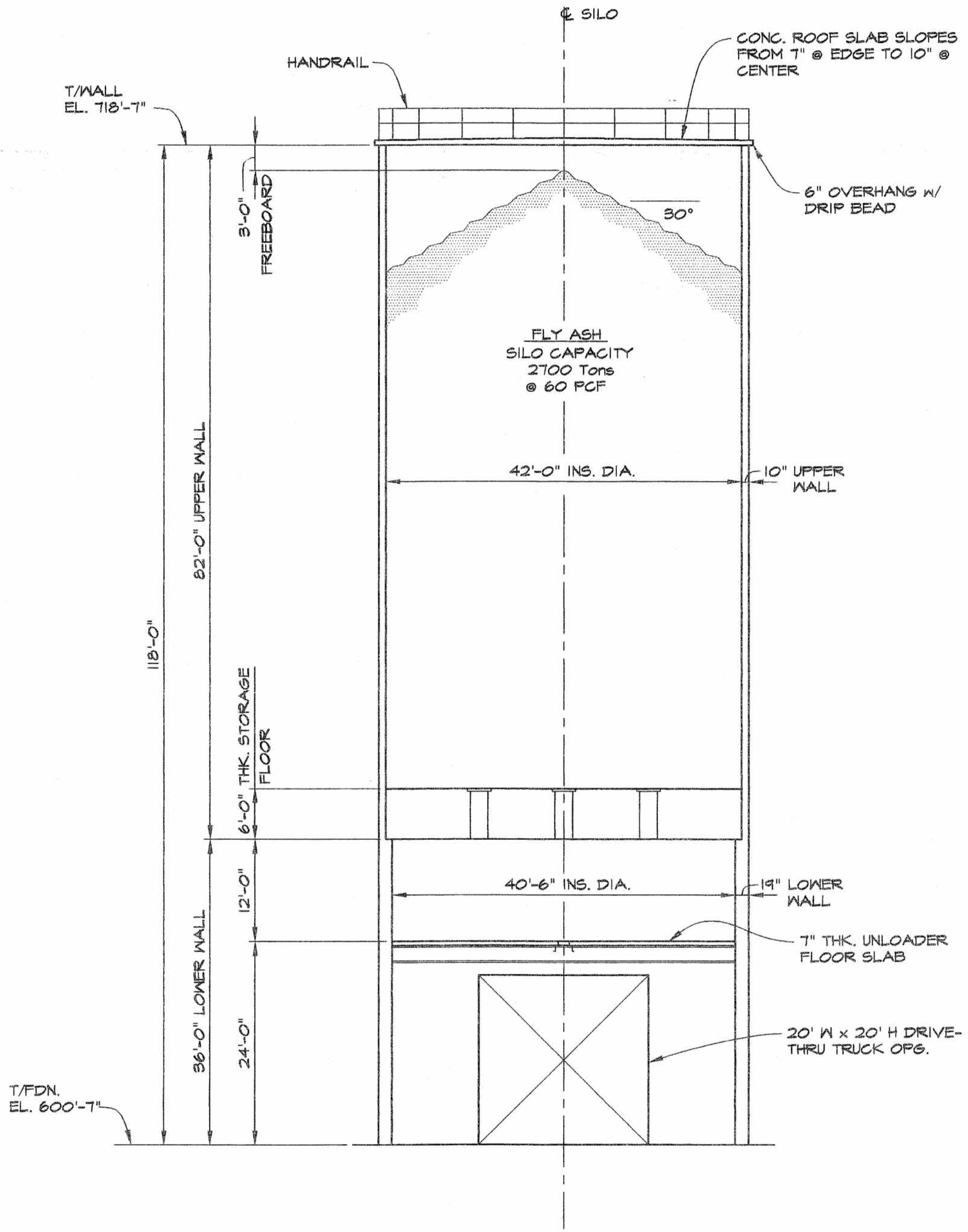


**DRAWING INDEX**

DRAWING NO.	DRAWING DESCRIPTION
GA-1	GENERAL ARRANGEMENT
GN-1	GENERAL NOTES
GN-2	GENERAL NOTES, ABBREVIATIONS, & SYMBOLS
F-1	FOUNDATION LOADS & DWEL PLAN
W-1	DEVELOPED SILO WALL W/ OPG'S & I.F. EMBED R's
W-2	WALL SECTIONS, DETAILS, & NOTES
W-3	SILO WALL VERTICAL REINFORCEMENT & BAR LIST
W-4	SILO WALL SECTIONS & DETAILS
W-5	WALL OPENING FRAME DETAILS
W-6	DEVELOPED SILO WALL W/ OPG'S & I.F. EMBED R's
SF-1	STORAGE FLOOR W/ OPENINGS & EMBED'S
SF-2	STORAGE FLOOR PLANS W/ BOTTOM REINFORCEMENT
SF-3	STORAGE FLOOR PLANS W/ TOP REINFORCEMENT
SF-4	STORAGE FLOOR SECTION, DETAILS, & BAR LIST
UF-1	UNLOADING FLOOR FRAMING
UF-2	UNLOADING FLOOR SLAB W/ INSERTS
UF-3	UNLOADING FLOOR SLAB W/ REINFORCEMENT
R-1	ROOF BEAM FRAMING PLAN
R-2	ROOF SLAB PLAN
R-3	ROOF SLAB PLAN W/ REINFORCEMENT
R-4	ROOF SLAB DETAILS
R-5	ROOF HANDRAIL DETAILS



**A** TYP. SECT. THRU SILO 3/32" = 1'-0"

**PLAN @ T/UNLOADER FLR.** 3/32" = 1'-0"

**PLAN @ T/FOUNDATION** 3/32" = 1'-0"

**Marietta**  
**SILOS**

2417 WATERFORD RD.  
 MARIETTA, OHIO 45750

740-373-2822  
 740-376-2835 FAX

PROJECT #0512