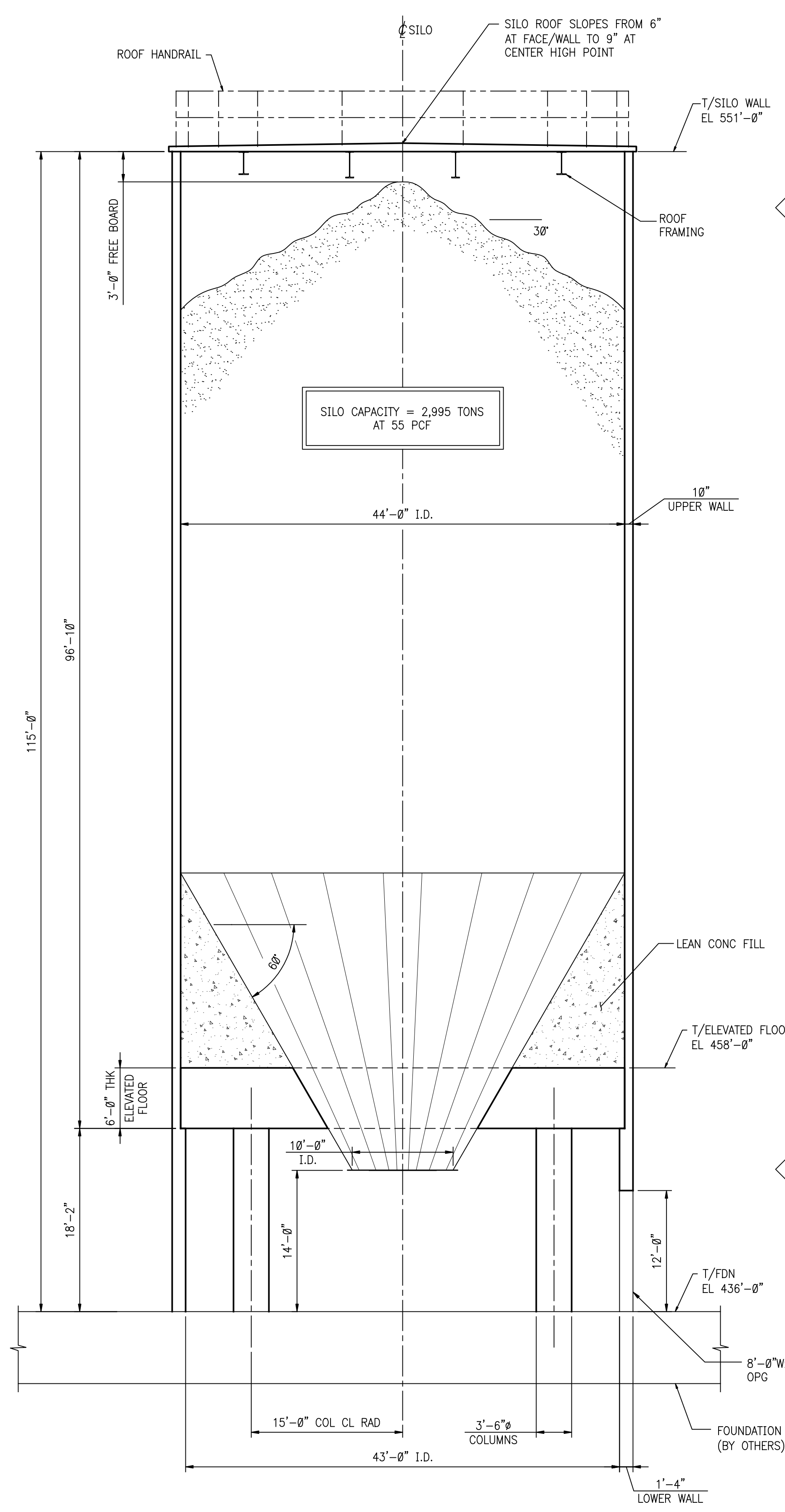
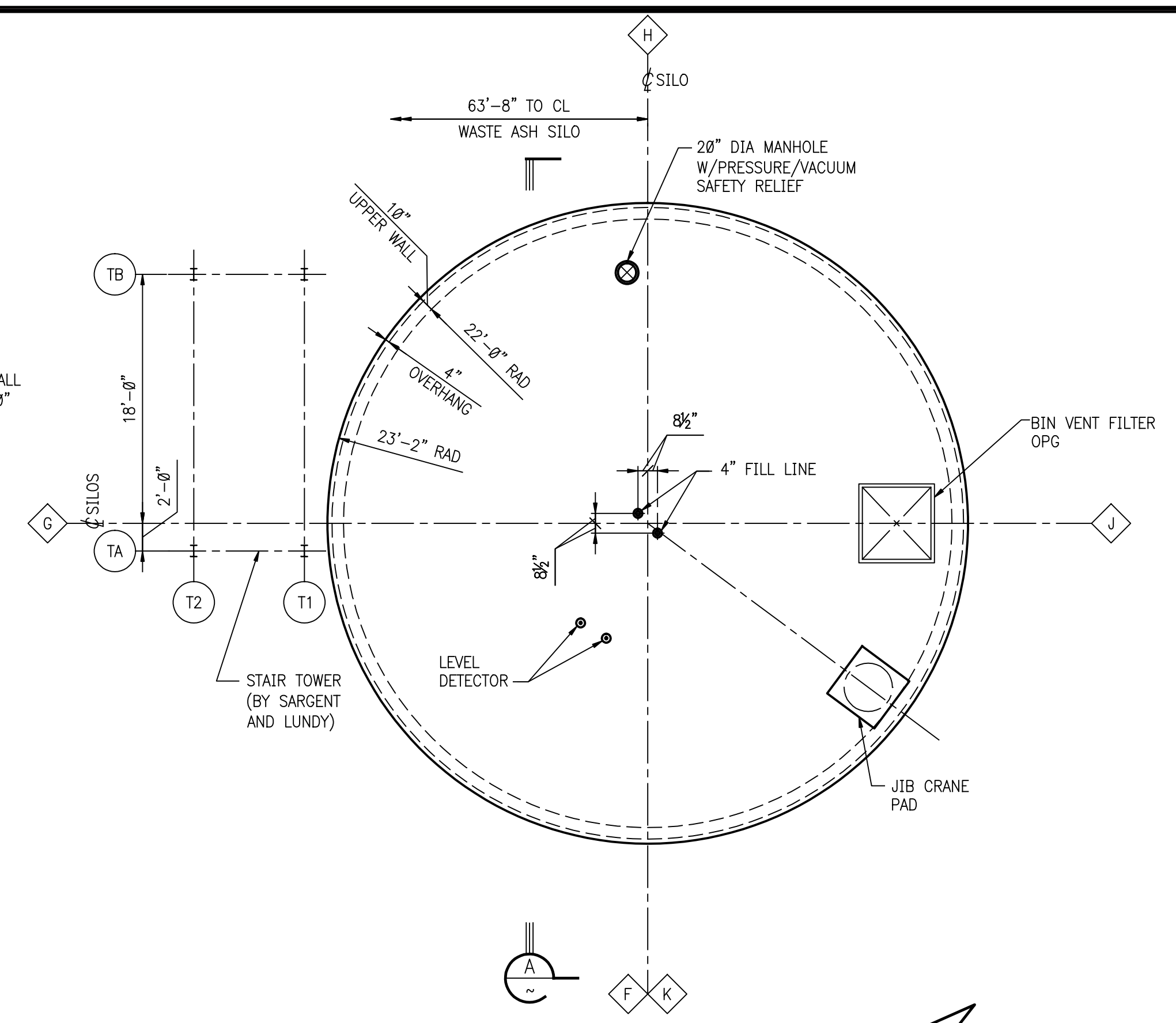


DRAWING INDEX

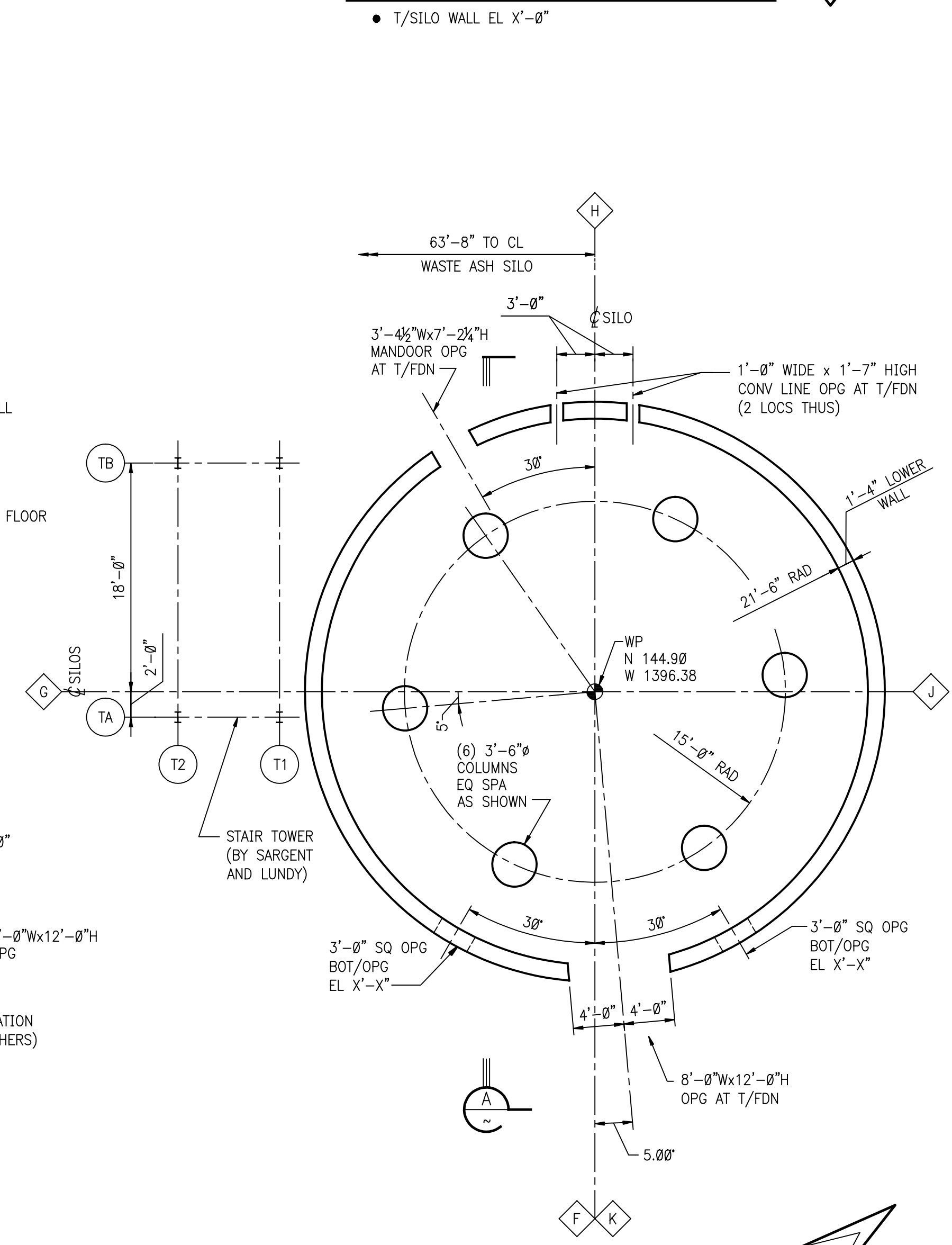
DWG NO	DESCRIPTION
LGA01	LIME STORAGE SILO GENERAL ARRANGEMENT
GN01	WASTE ASH STORAGE AND LIME STORAGE SILO GENERAL NOTES
LF01	LIME STORAGE SILO FOUNDATION LOADS PLAN
LW01	LIME STORAGE SILO DEVELOPED SILO WALL WITH OPENINGS
LW02	LIME STORAGE SILO DEVELOPED SILO WALL WITH REINFORCEMENT
LW03	LIME STORAGE SILO DEVELOPED SILO WALL WITH EMBEDS
LW04	LIME STORAGE SILO WALL SECTIONS, DETAILS AND BAR SCHEDULE
LEF01	LIME STORAGE SILO ELEVATED FLOOR PLAN WITH BOTTOM REINFORCEMENT
LEF02	LIME STORAGE SILO ELEVATED FLOOR PLAN WITH TOP REINFORCEMENT
LH01	LIME STORAGE SILO HOPPER ELEVATION
LH02	LIME STORAGE SILO HOPPER SECTIONS AND DETAILS
LR01	LIME STORAGE SILO ROOF FRAMING PLAN
LR02	LIME STORAGE SILO ROOF FRAMING SECTIONS AND DETAILS
LR03	LIME STORAGE SILO ROOF SLAB PLAN
LR04	LIME STORAGE SILO ROOF SLAB WITH REINFORCEMENT
LR05	LIME STORAGE SILO ROOF SLAB SECTIONS AND DETAILS
LR06	LIME STORAGE SILO ROOF HANDRAIL PLAN



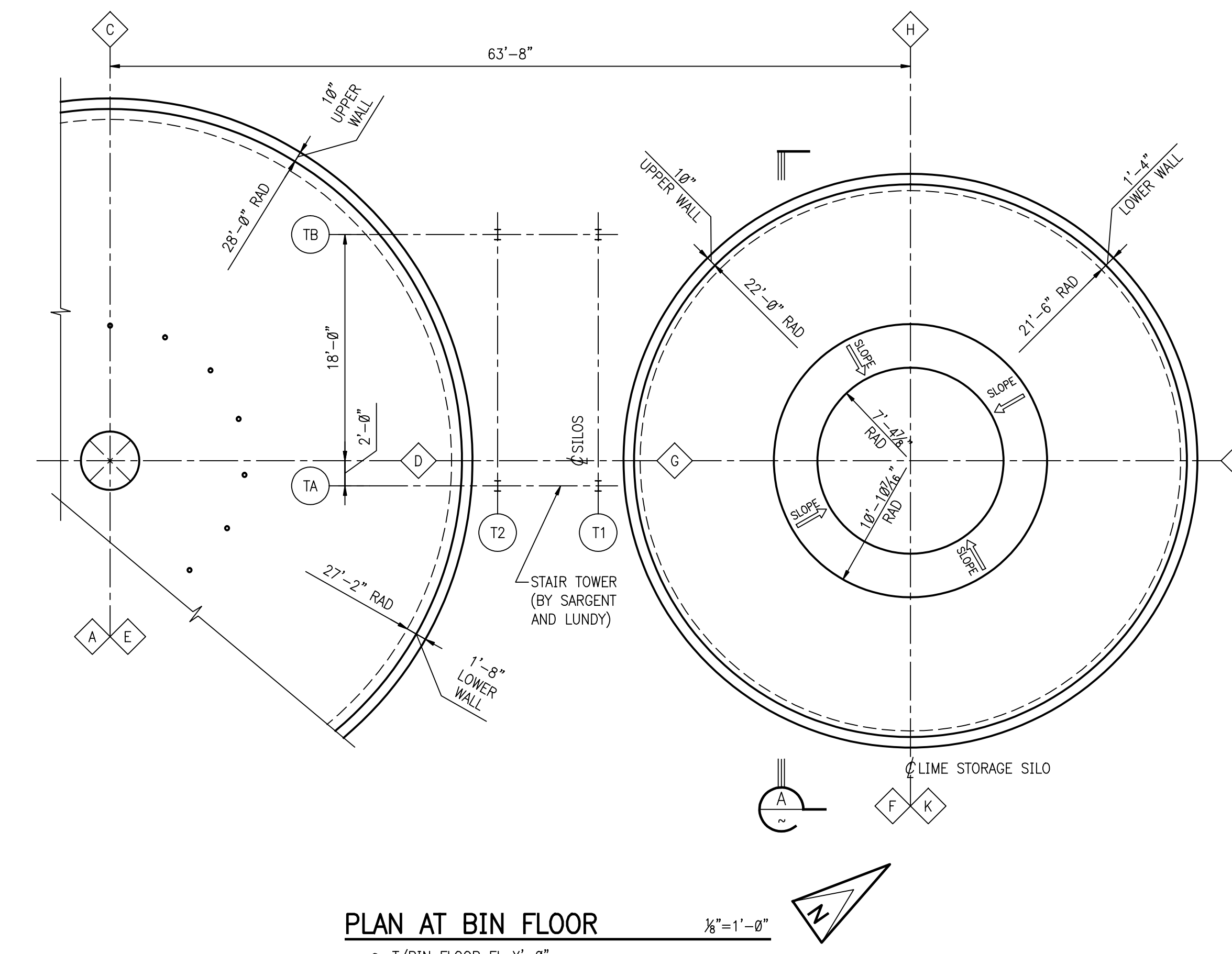
A SECTION THRU LIME SILO 1/8"=1'-0"
 • FOR PLAN AT FOUNDATION, SEE DWG LF01



PLAN AT SILO ROOF 1/8"=1'-0"
 • T/SILO WALL EL. X'-0"



PLAN AT T/FOUNDATION 1/8"=1'-0"
 • T/FOUNDATION WALL EL. 436'-0"



PLAN AT BIN FLOOR 1/8"=1'-0"
 • T/BIN FLOOR EL. X'-0"

Marietta
SILOS
 2417 WATERFORD RD.
 MARIETTA, OHIO 45750
 740-373-2822
 740-376-2635 FAX