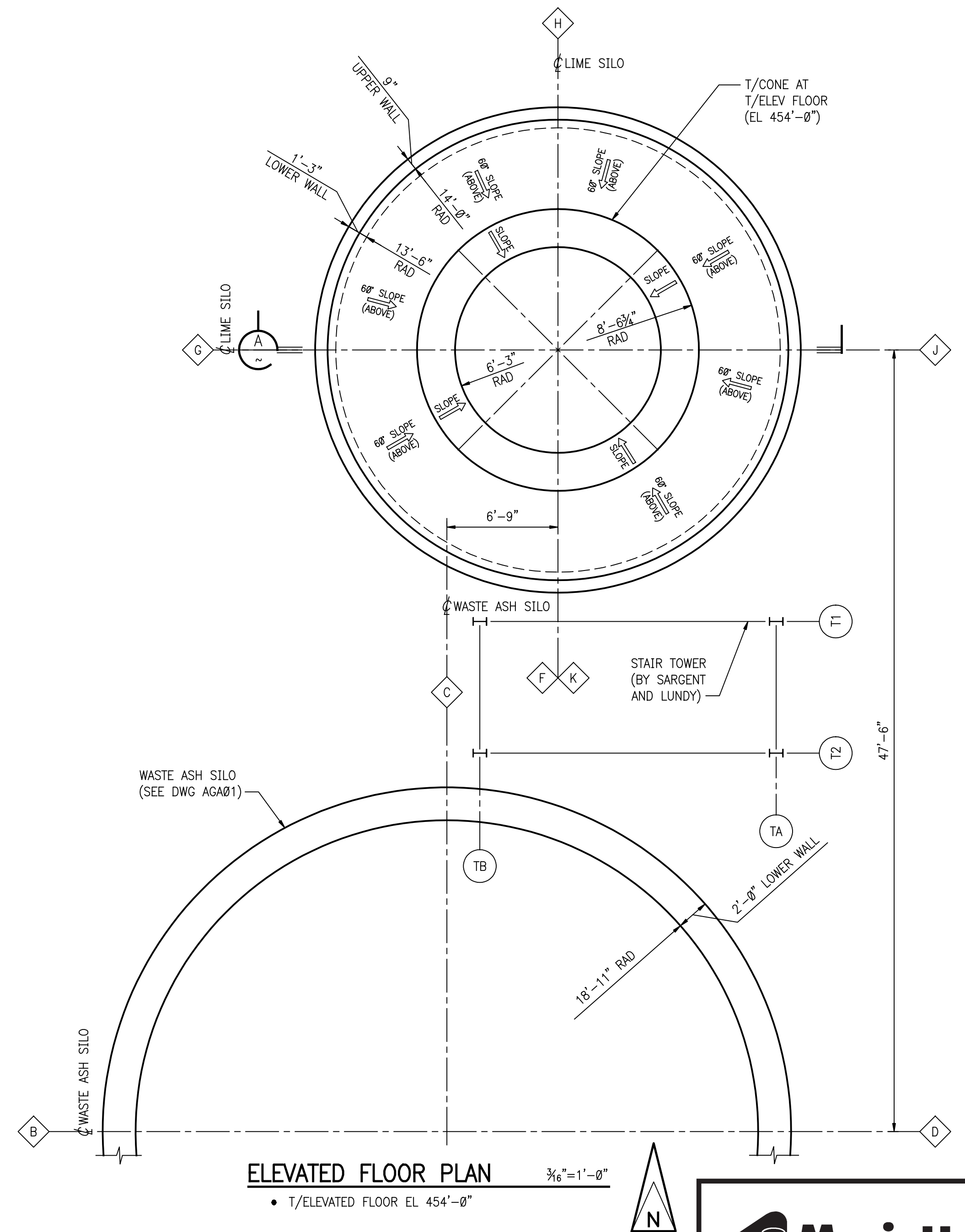
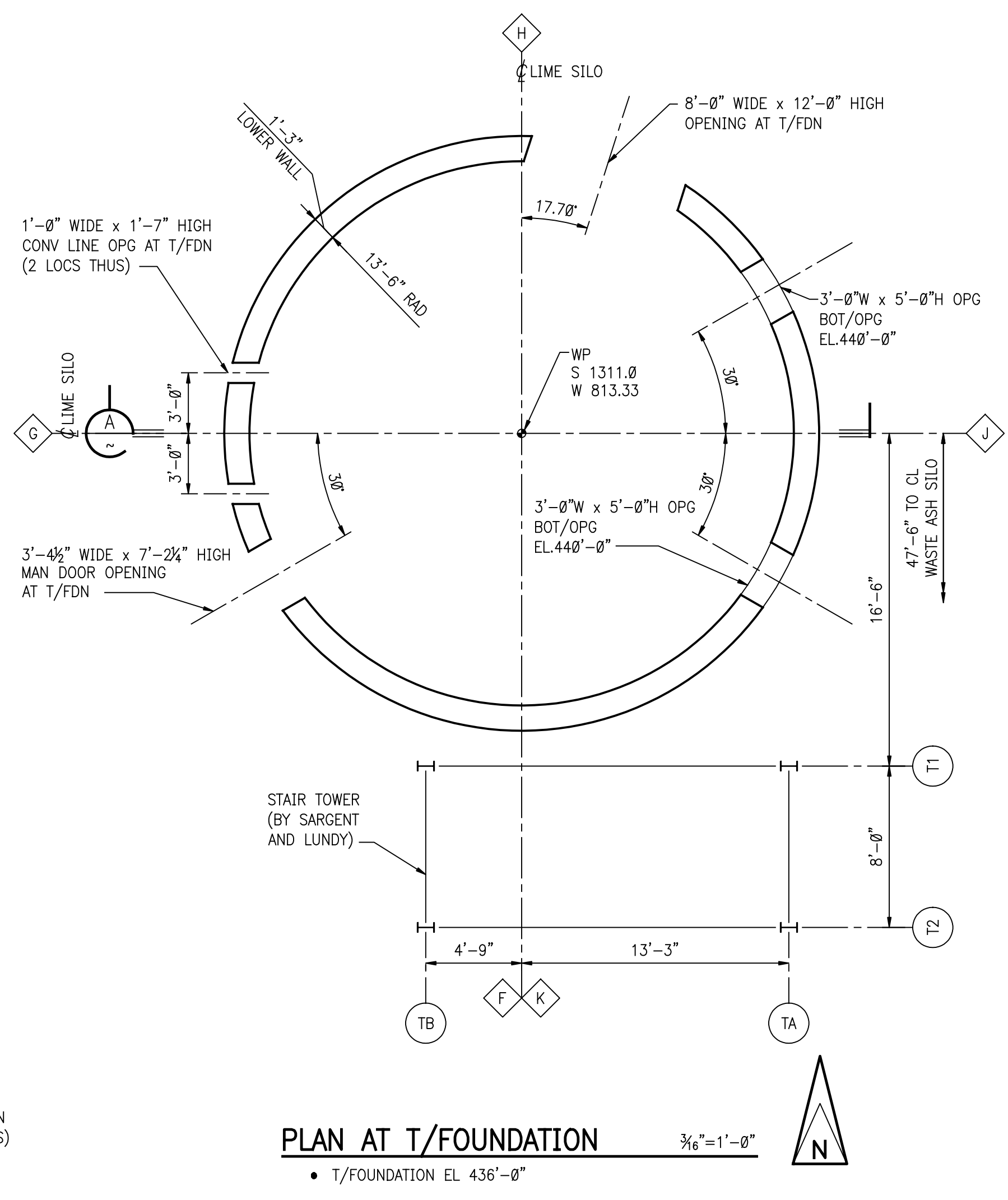
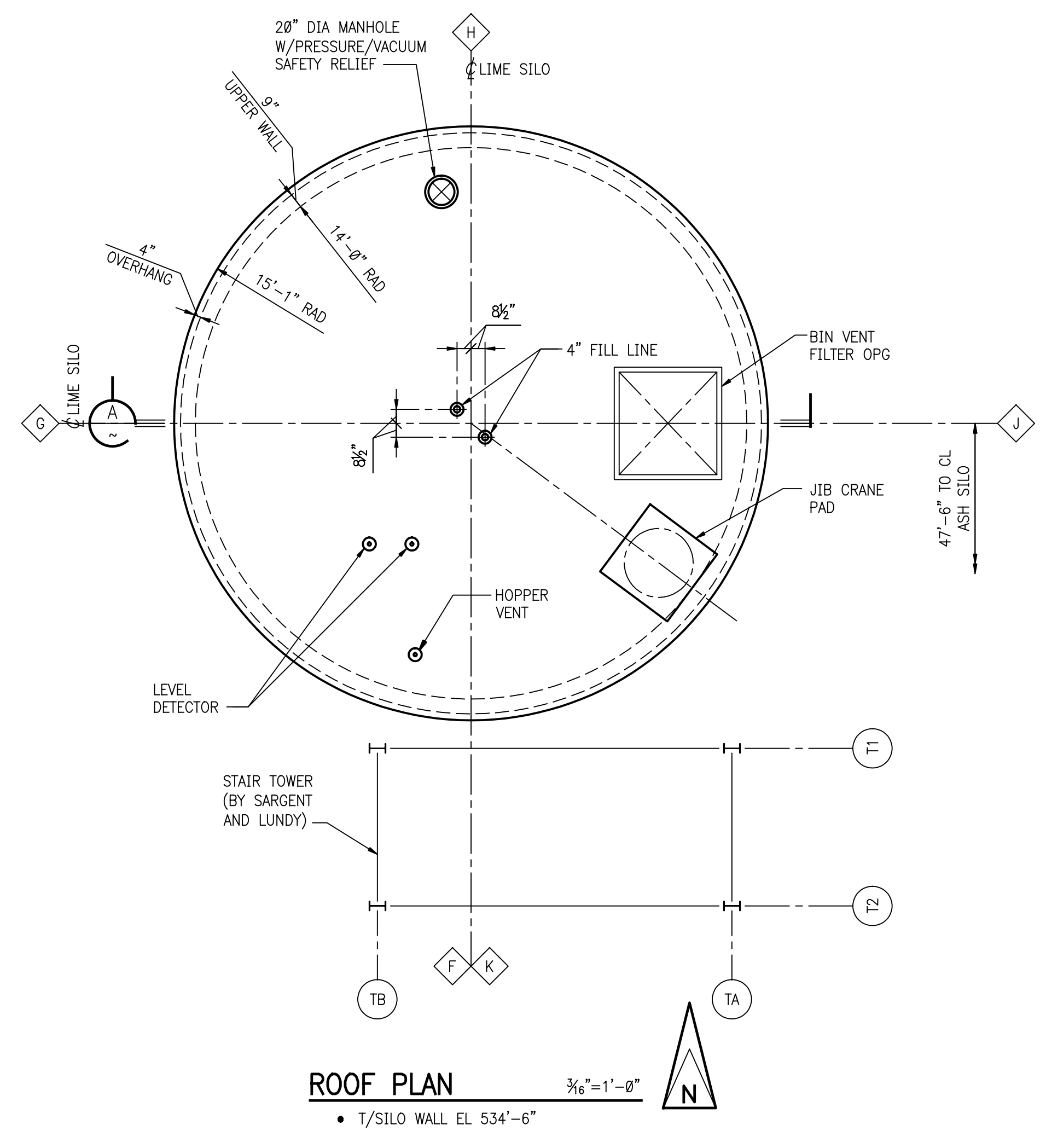
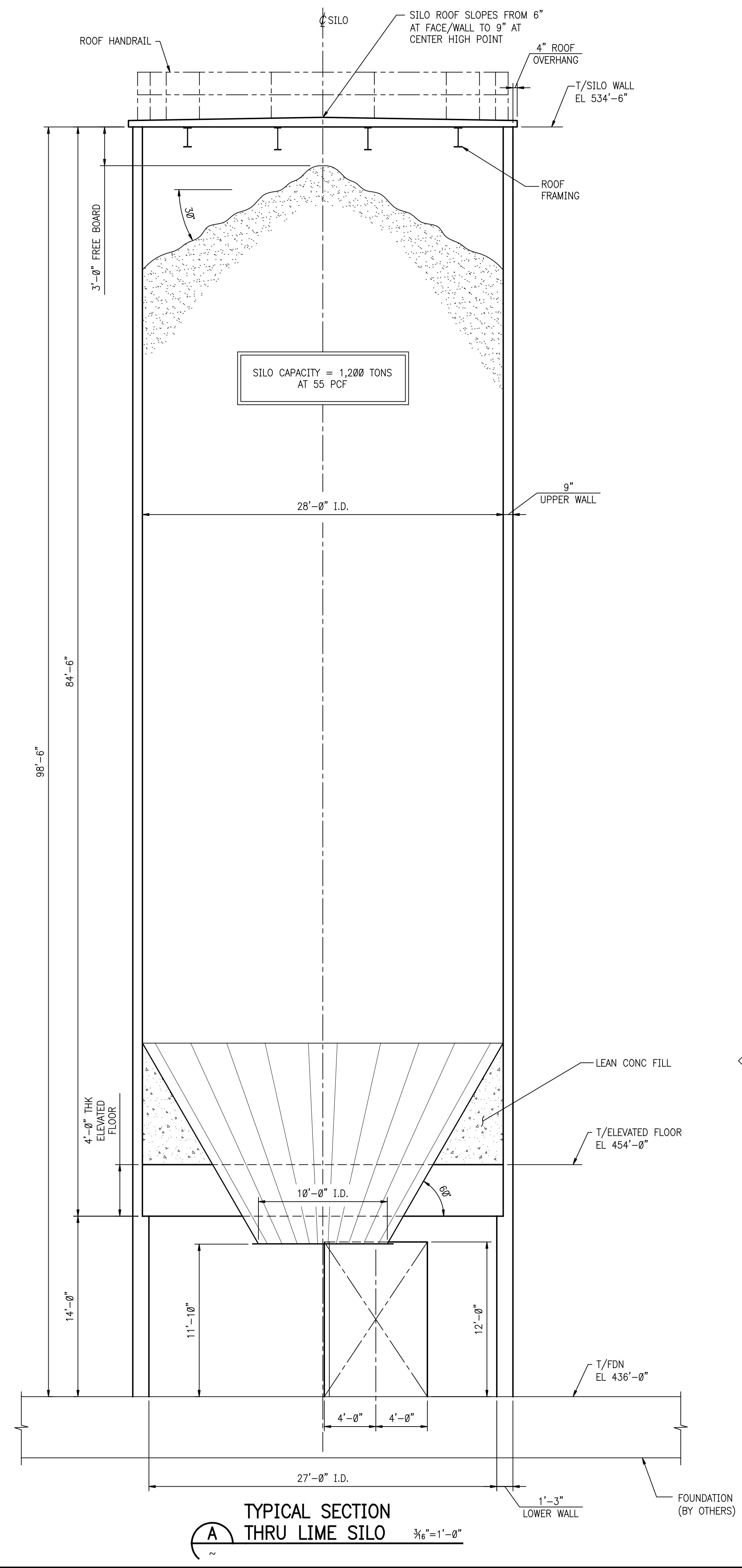


# DRAWING INDEX

DRAWING No.	DESCRIPTION
LG001	LIME STORAGE SILO GENERAL ARRANGEMENT
GN001	WASTE ASH STORAGE AND LIME STORAGE SILO GENERAL NOTES
LF001	LIME STORAGE SILO FOUNDATION LOADS PLAN
LW001	LIME STORAGE SILO DEVELOPED SILO WALL WITH OPENINGS
LW002	LIME STORAGE SILO DEVELOPED SILO WALL WITH REINFORCEMENT
LW003	LIME STORAGE SILO DEVELOPED SILO WALL WITH EMBEDS
LW004	LIME STORAGE SILO WALL SECTIONS, DETAILS AND BAR SCHEDULE
LEF001	LIME STORAGE SILO ELEVATED FLOOR PLAN WITH BOTTOM REINFORCEMENT
LEF002	LIME STORAGE SILO ELEVATED FLOOR PLAN WITH TOP REINFORCEMENT
LH001	LIME STORAGE SILO HOPPER ELEVATION
LR001	LIME STORAGE SILO ROOF FRAMING PLAN
LR002	LIME STORAGE SILO ROOF FRAMING SECTIONS AND DETAILS
LR003	LIME STORAGE SILO ROOF SLAB PLAN
LR004	LIME STORAGE SILO ROOF SLAB WITH REINFORCEMENT
LR005	LIME STORAGE SILO ROOF SLAB SECTIONS AND DETAILS
LR006	LIME STORAGE SILO ROOF HANDRAIL PLAN



**Marietta SILOS**  
 2417 WATERFORD RD.  
 MARIETTA, OHIO 45750  
 740-373-2822  
 740-376-2635 FAX

P:\06-C253\DWG\06-C253\0601 - PLOTTED - JUL 08, 2009 - TIME: 11:45 AM - SCALE: 1/8"=1'-0" - PLOTTED BY: terryl