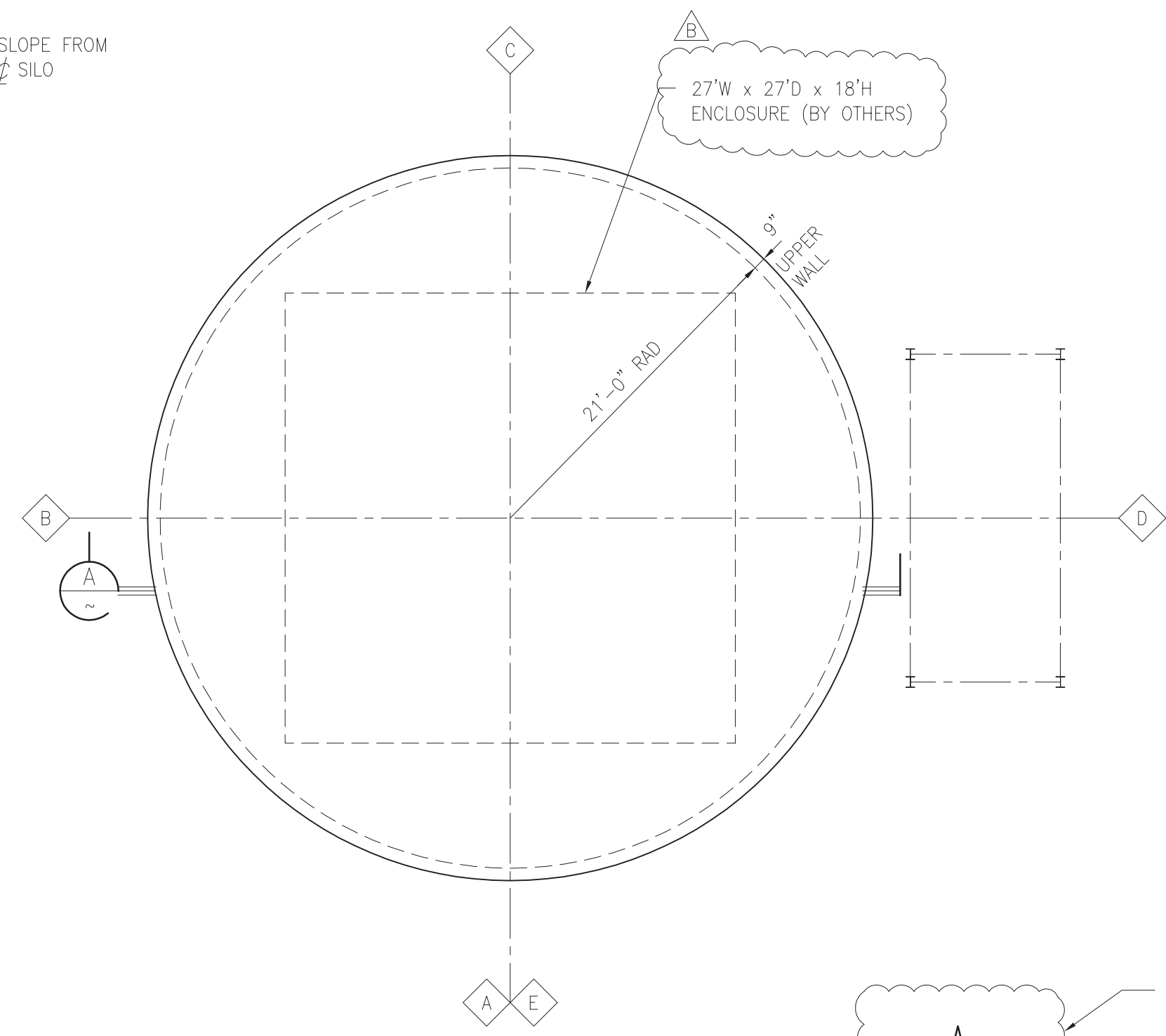
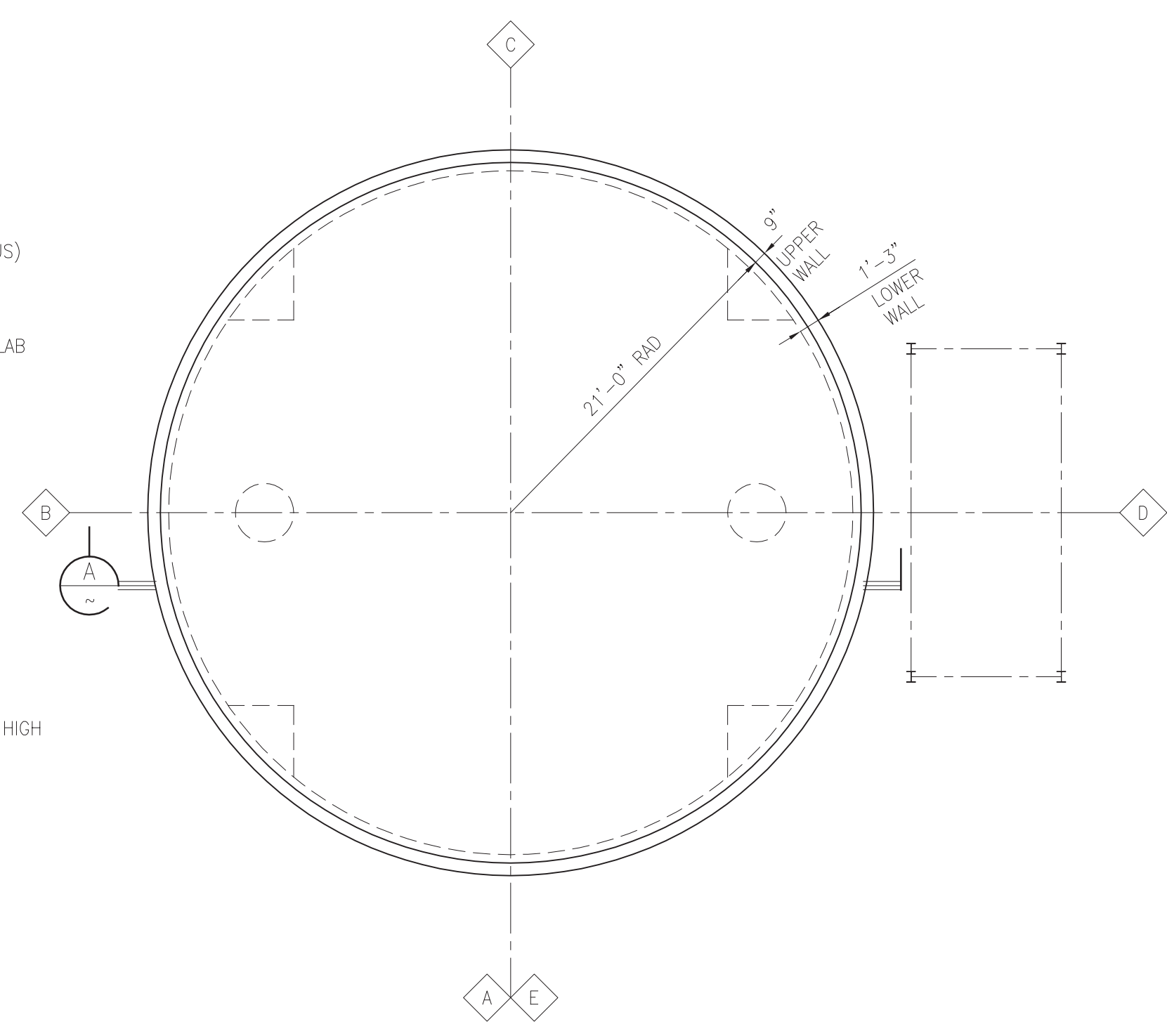


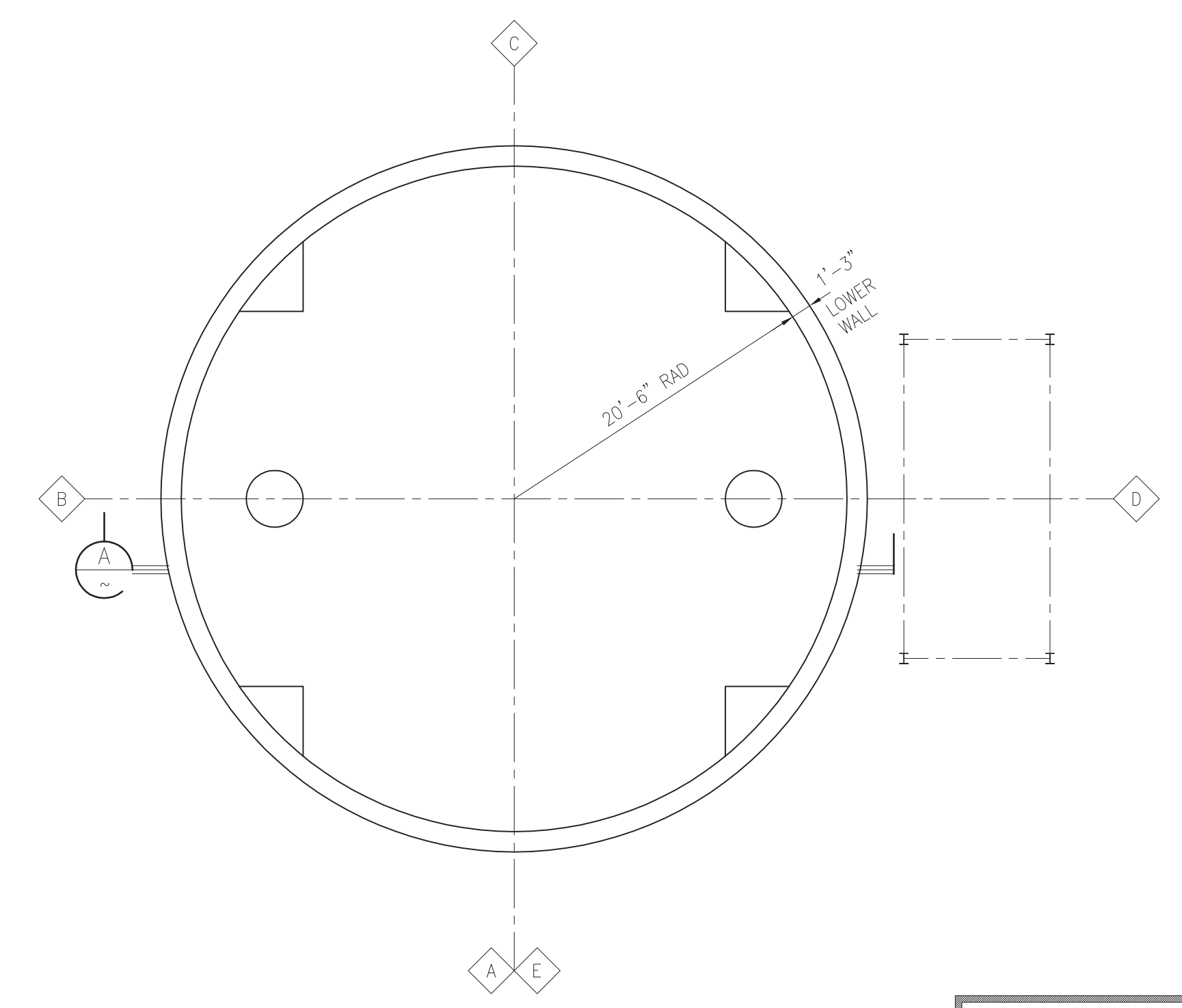
A TYPICAL SECTION THRU SILO 1/8"=1'-0"



PLAN AT SILO ROOF 1/8"=1'-0"



PLAN AT BIN FLOOR 1/8"=1'-0"



PLAN AT UNLOADER FLOOR 1/8"=1'-0"

HOLD FOR EQUIPMENT INFORMATION AT ROOF AND FLOORS

HOLD FOR NORTH ARROW ORIENTATION

PRELIMINARY NOT FOR CONSTRUCTION

Marietta SILOS
 2417 WATERFORD RD.
 MARIETTA, OHIO 45750
 740-373-2822
 740-376-2635 FAX
 PROJECT #0512