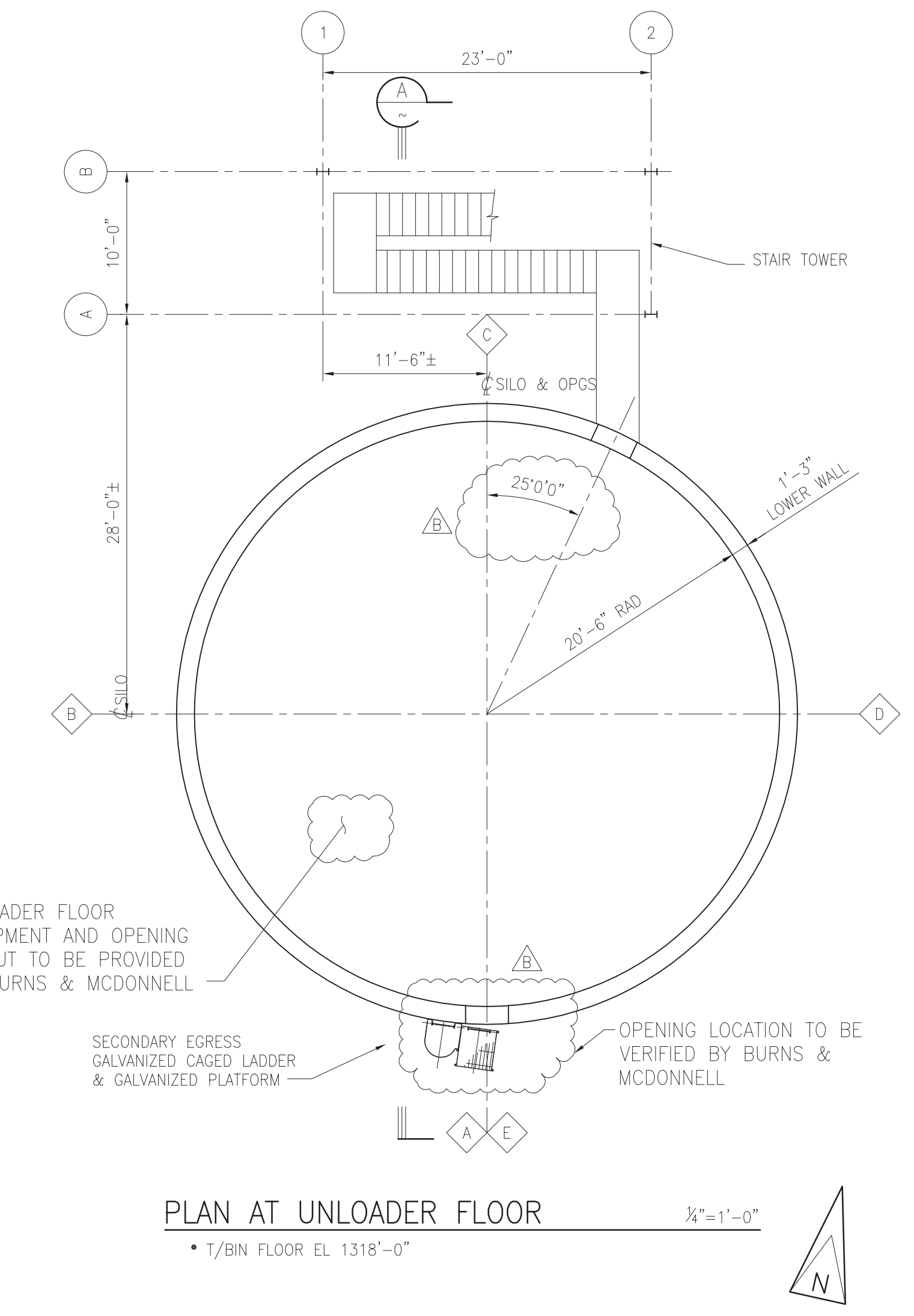
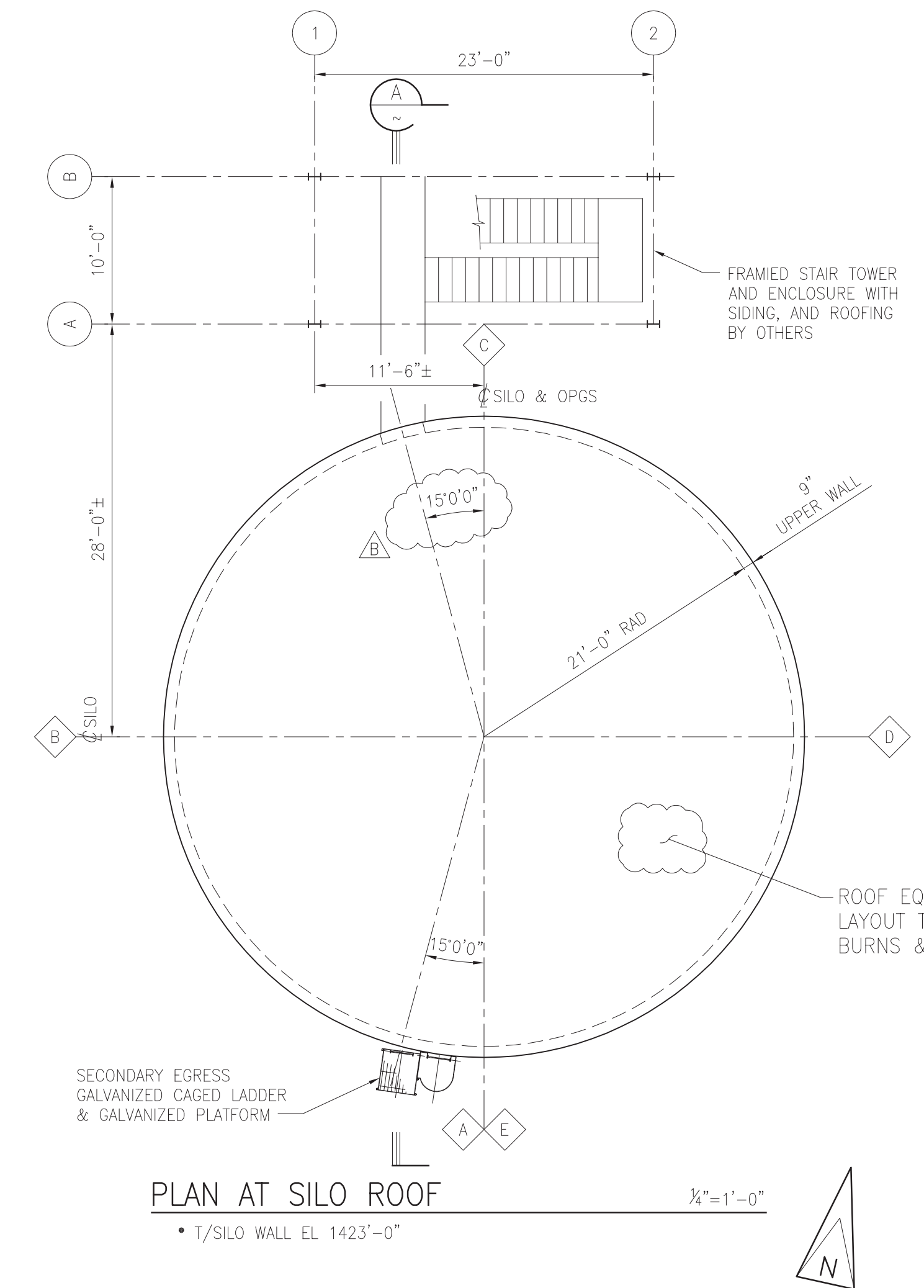
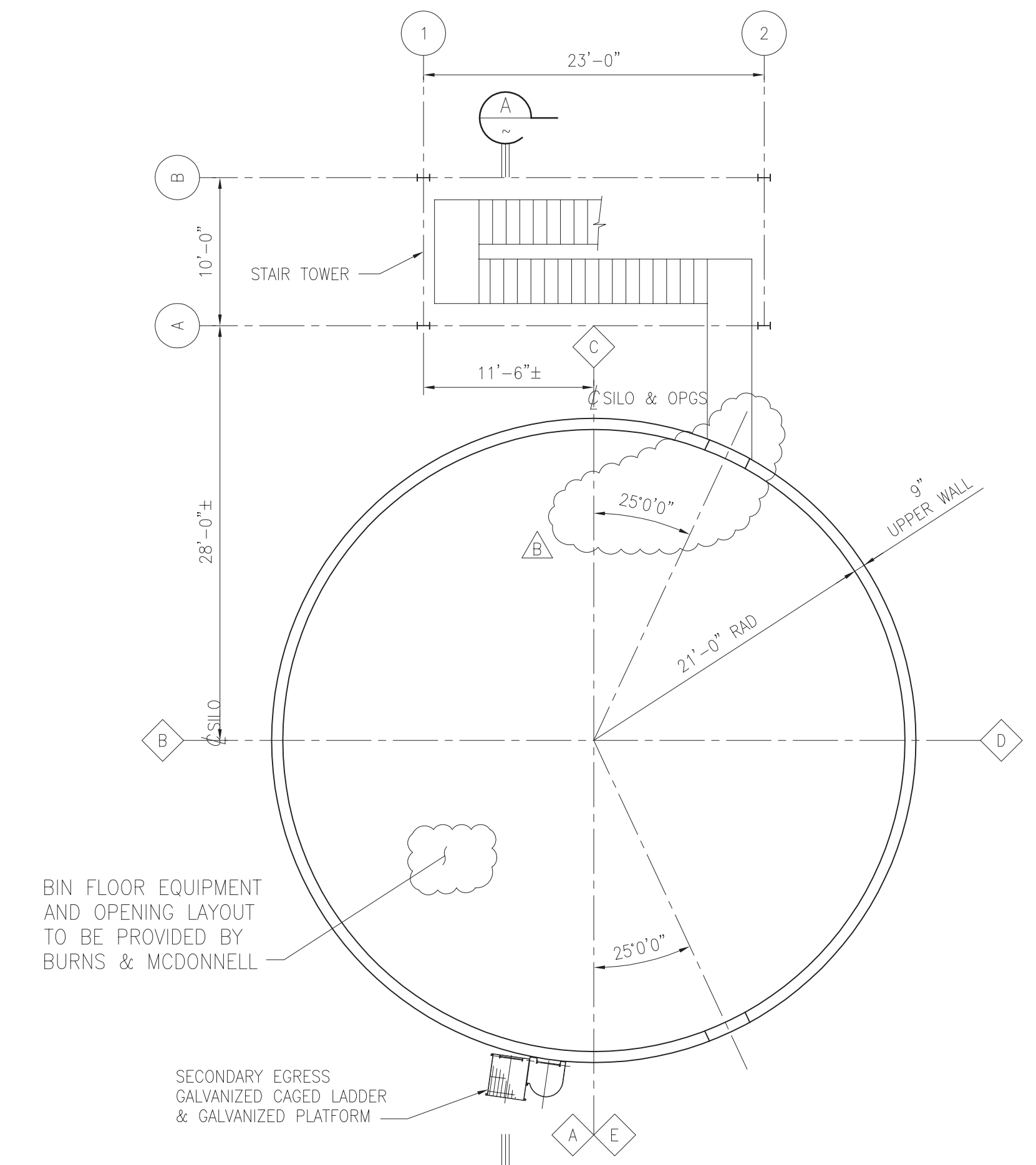
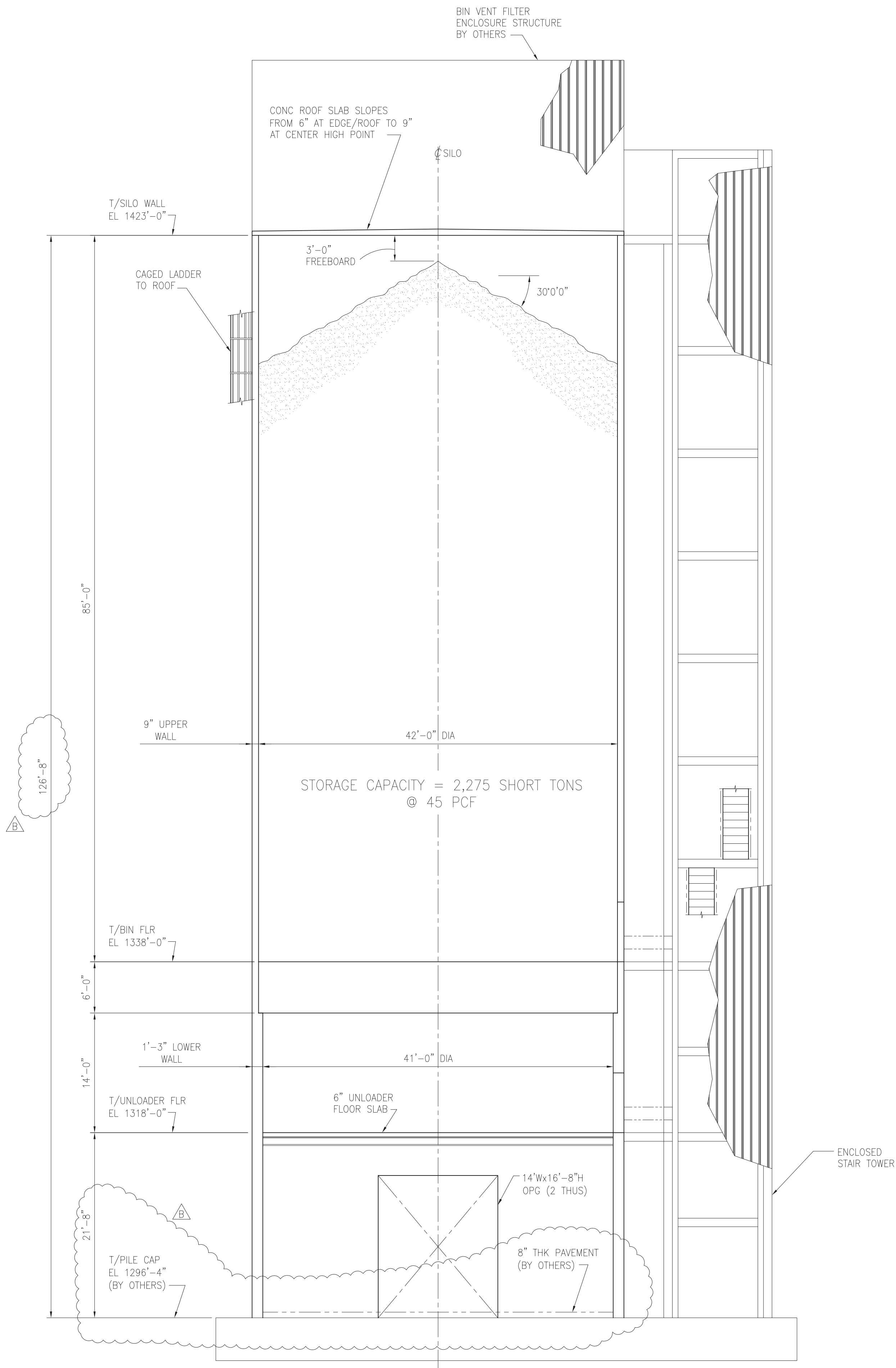


DRAWING INDEX

GN01	GENERAL NOTES
GN02	GENERAL STAIR DRAWING
GN03	GENERAL LADDER DRAWING
GA01	GENERAL ARRANGEMENT
F01	SILLO FOUNDATION PLAN AND LOADS
W01	DEVELOPED SILLO WALL WITH REINFORCING
W02	SILLO WALL SECTIONS, DETAILS AND BAR LIST
W03	DEV. SILLO WALL WITH EMBEDMENTS & DETAILS
W04	DEV. SILLO WALL WITH I.F. & O.F. EMBED PLATES
UF01	UNLOADER FLOOR FRAMING PLAN & DETAILS
UF02	UNLOADER FLOOR REINFORCING LAYOUT
BF01	BIN FLOOR PLAN WITH REINFORCING
BF02	BIN FLOOR REINFORCING SECTIONS & DETAILS
R01	ROOF FRAMING PLAN & DETAILS
R02	ROOF SLAB PLAN WITH REINFORCING
R03	ROOF HANDRAIL PLAN & DETAILS
S01	STAIR TOWER PLANS
S02	STAIR TOWER ELEVATIONS
S03	STAIR TOWER ELEVATIONS
S04	STAIR TOWER SECTIONS & DETAILS



PRELIMINARY  
 NOT FOR  
 CONSTRUCTION

**Marietta**  
**SILLOS**

2417 WATERFORD RD.  
 MARIETTA, OHIO 45750

740-373-2822  
 740-376-2635 FAX

PROJECT #0512