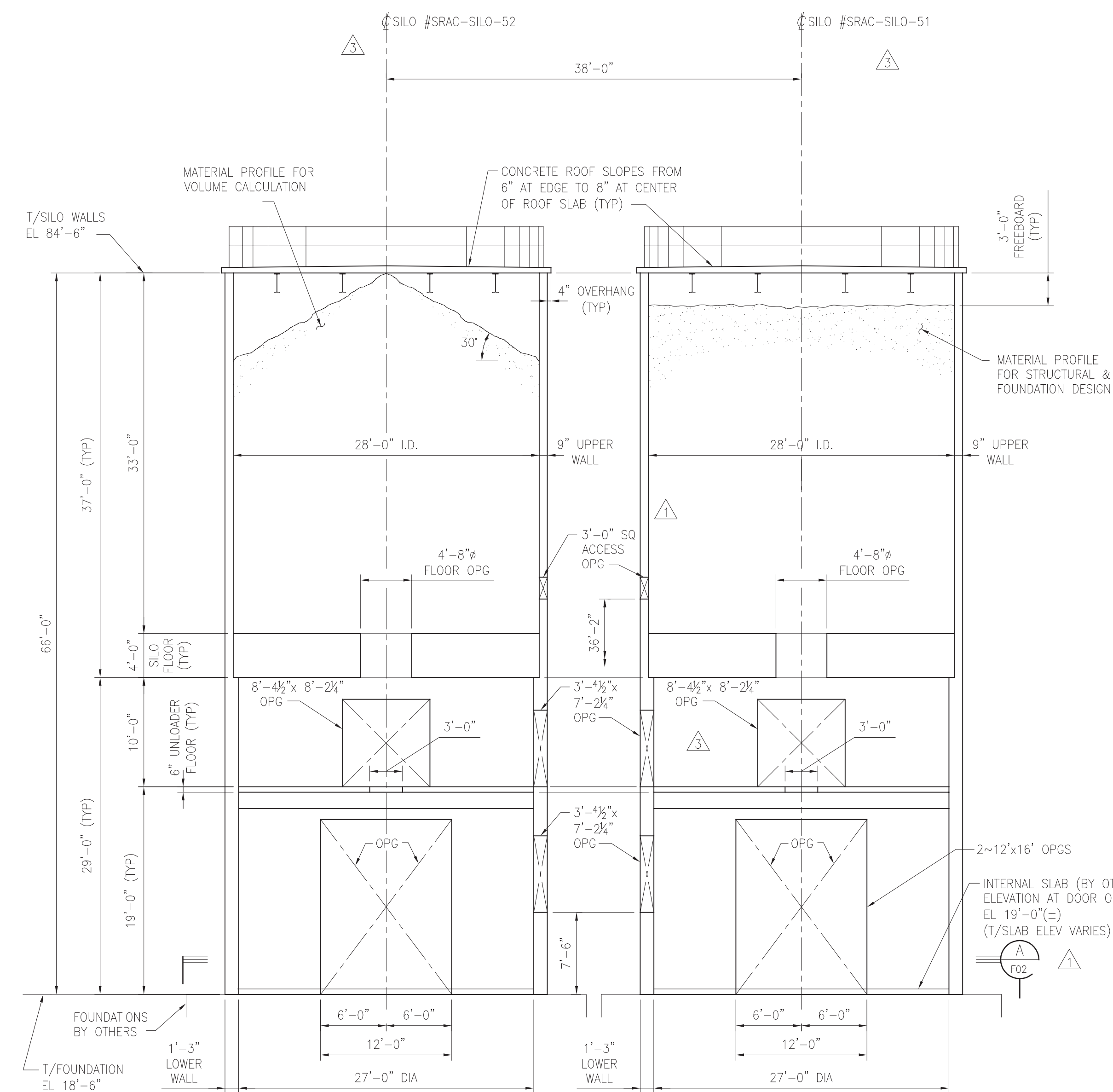
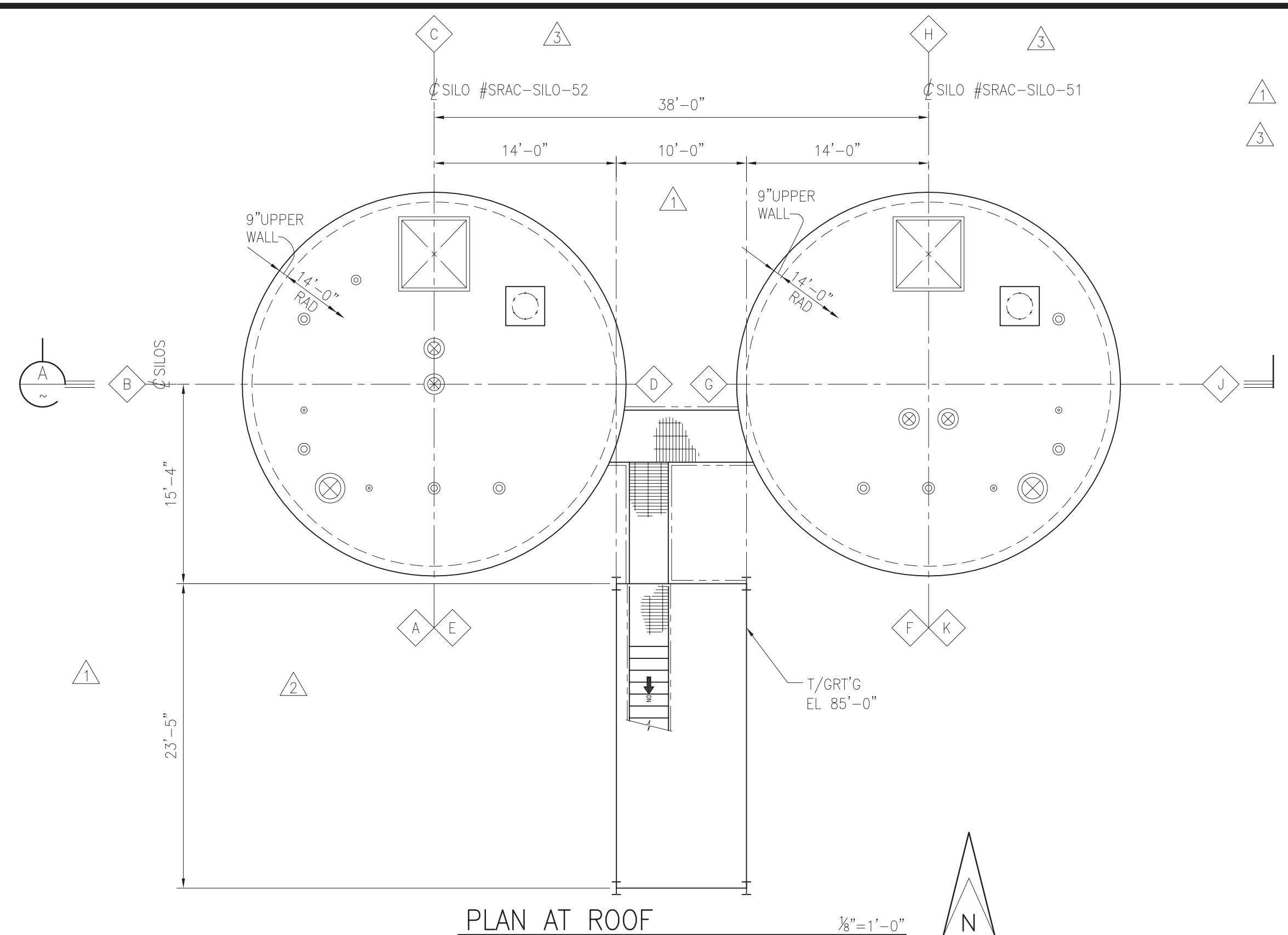


DRAWING INDEX

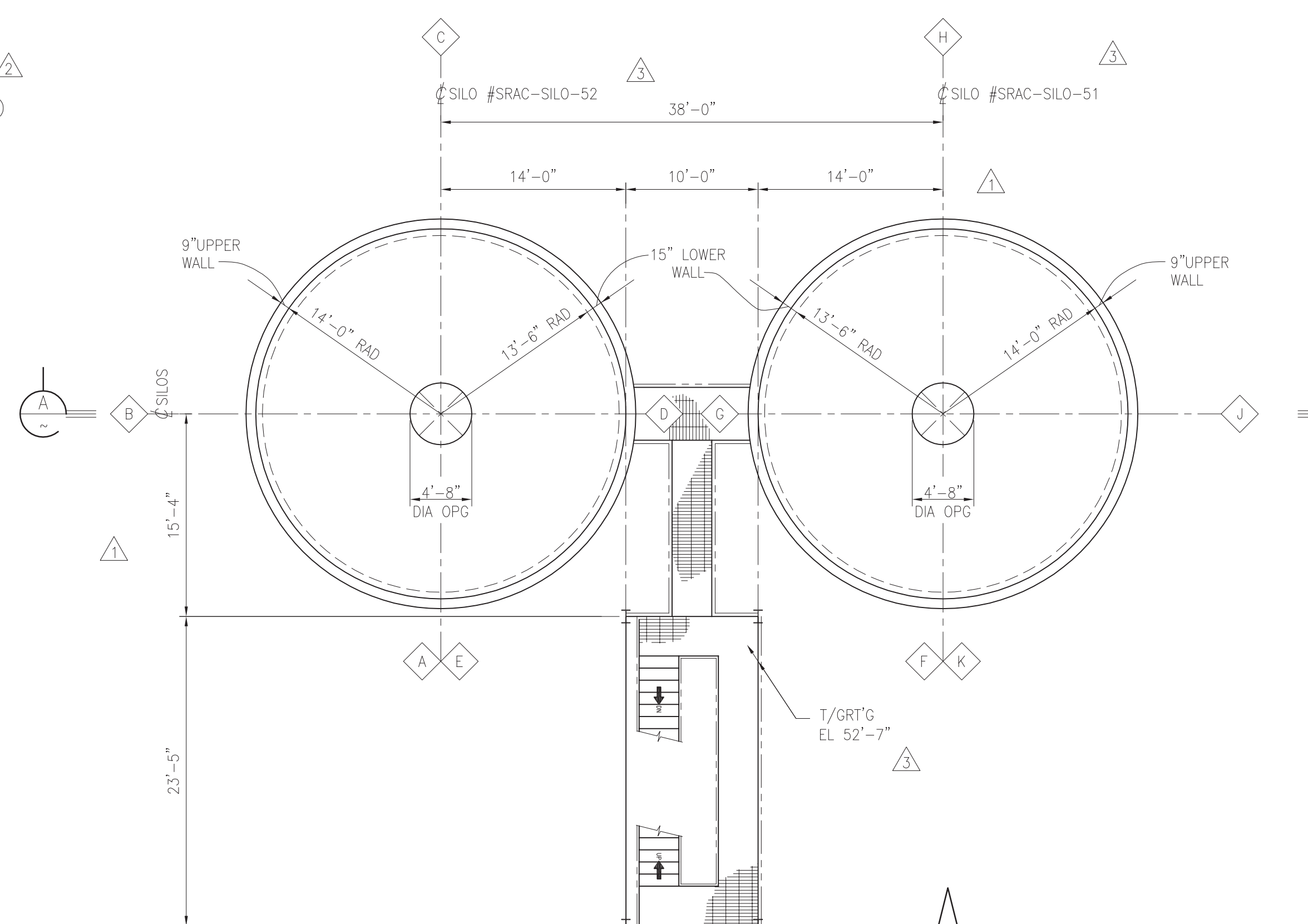
GA01	GENERAL ARRANGEMENT
GN01	GENERAL NOTES
FO1	SILO FOUNDATION LOADS
F02	STAIR TOWER FOUNDATION LOADS
W01	SILO #SRAC-SILO-52 DEVELOPED SILO WALL WITH REINFORCEMENT
W02	SILO #SRAC-SILO-51 DEVELOPED SILO WALL WITH REINFORCEMENT
W03	SILO WALL SECTIONS, DETAILS & BAR LIST
W04	SILO #SRAC-SILO-52 DEVELOPED SILO WALL WITH EMBEDS & DETAILS
W05	SILO #SRAC-SILO-51 DEVELOPED SILO WALL WITH EMBEDS & DETAILS
W06	SILO #SRAC-SILO-52 DEV SILO WALL WITH I.F. & O.F. EMBED PLATES
W07	SILO #SRAC-SILO-51 DEV SILO WALL WITH I.F. & O.F. EMBED PLATES
S01	SILO #SRAC-SILO-52 & #SRAC-SILO-51 FLOOR PLAN WITH REINFORCEMENT
S02	SILO #SRAC-SILO-52 & #SRAC-SILO-51 FLOOR REINF SECTIONS & DETAILS
S03	NOT USED
S04	STAIR TOWER ELEVATIONS
S05	STAIR TOWER PLANS
S06	STAIR TOWER NOTES & DETAILS
R01	SILO #SRAC-SILO-52 & #SRAC-SILO-51 ROOF FRAMING PLANS
R02	ROOF FRAMING SECTIONS & DETAILS
R03	SILO #SRAC-SILO-52 & #SRAC-SILO-51 ROOF SLAB PLANS
R04	SILO #SRAC-SILO-52 & #SRAC-SILO-51 ROOF SLAB PLANS WITH REINF
R05	SILO #SRAC-SILO-52 & #SRAC-SILO-51 ROOF HANDRAIL PLANS & SECTIONS
U01	SILO #SRAC-SILO-52 & #SRAC-SILO-51 UNLOADER FLOOR FRAMING PLAN
U02	SILO #SRAC-SILO-52 & #SRAC-SILO-51 UNLOADER FLOOR FRAMING DETAILS
U03	SILO #SRAC-SILO-52 & #SRAC-SILO-51 UNLOADER FLOOR REINF PLAN



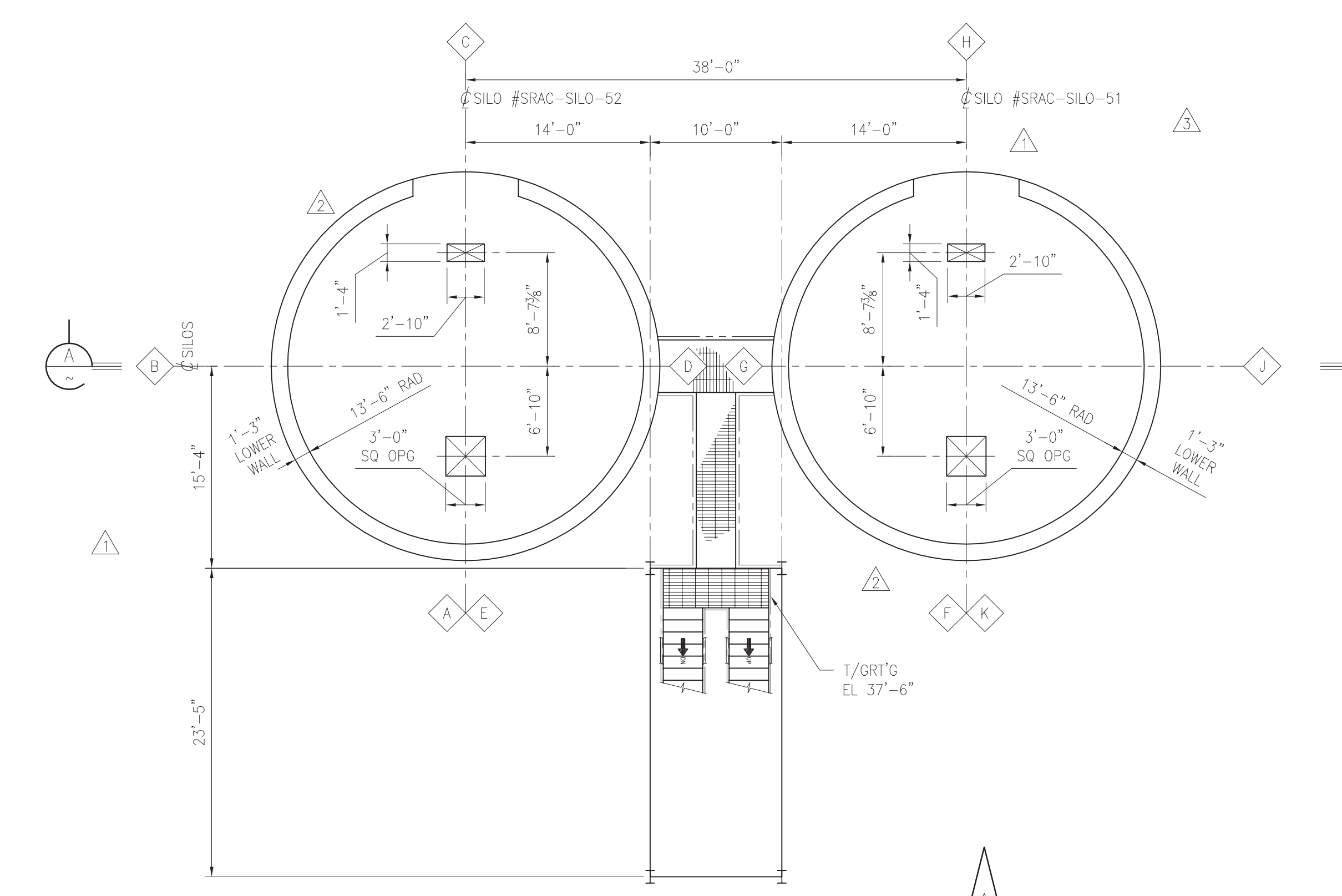
(A) TYPICAL SECTION THRU SILOS 1/8" = 1'-0"



PLAN AT ROOF 1/8" = 1'-0"



PLAN AT SILO FLOOR 1/8" = 1'-0"



PLAN AT UNLOADER FLOOR 1/8" = 1'-0"

Marietta SILOS
 2417 WATERFORD RD.
 MARIETTA, OHIO 45750
 740-373-2822
 740-376-2635 FAX
 PROJECT #0512