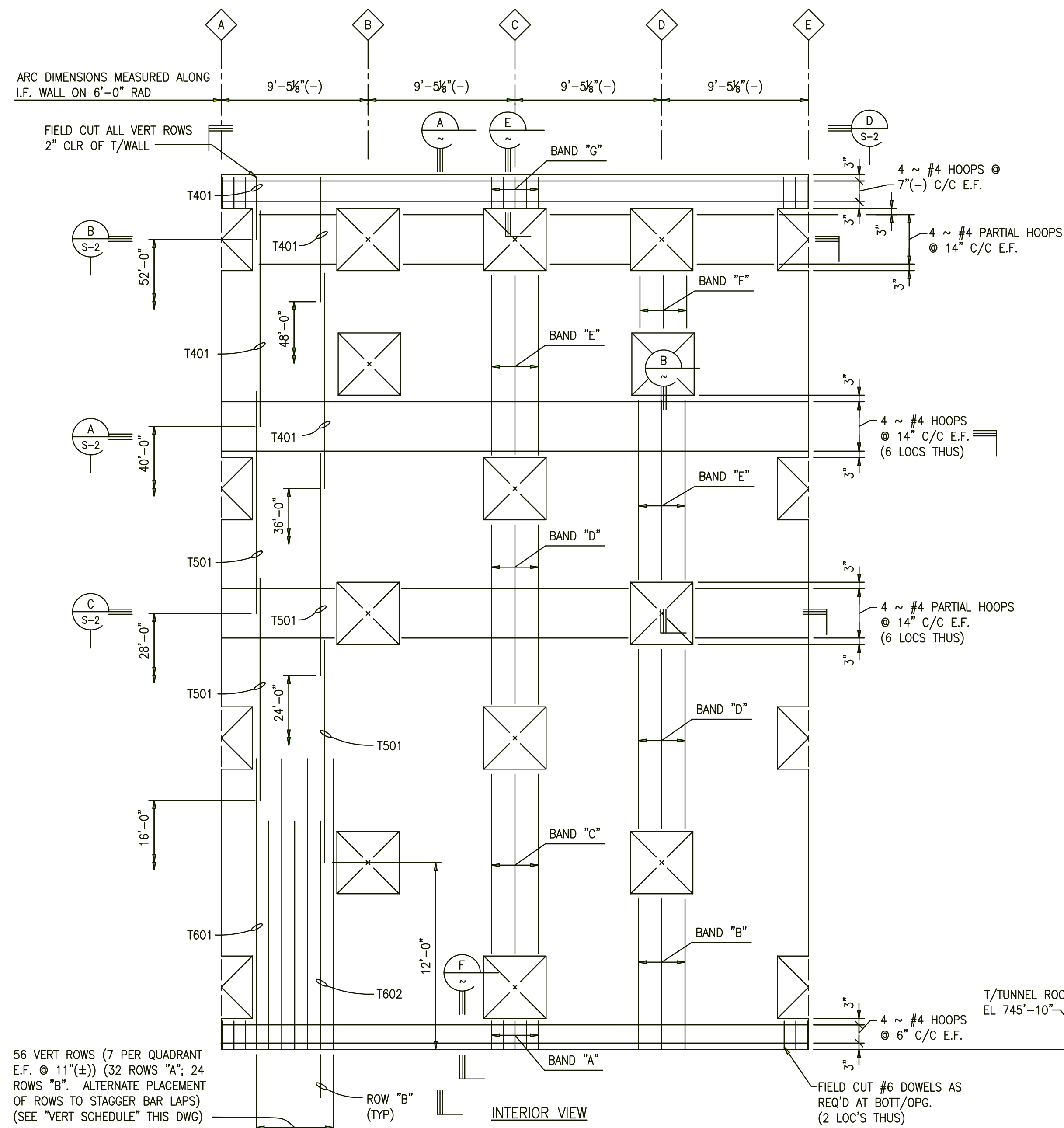


P:\07-C131\DWG\S107-C131S01 - PLOTTED: JAN 15, 2007 - TIME: 8:43 AM - SCALE: 1/8"=1'-0" - PLOTTED BY: CONFIDENT



56 VERT ROWS (7 PER QUADRANT E.F. @ 11'±) (32 ROWS "A"; 24 ROWS "B". ALTERNATE PLACEMENT OF ROWS TO STAGGER BAR LAPS) (SEE "VERT SCHEDULE" THIS DWG)

DEVELOPED WALL ELEVATION 3/8"=1'-0"

- CONCRETE QUANTITY REQ'D = 76 CY; MIN. CONCRETE COMPRESSIVE STRENGTH = 4,000 PSI.
- (16)~4'-0" WIDE x 4'-0" HIGH DISCHARGE OPENINGS REQUIRED.
- VERTICAL REINF IS DETAILED SUCH THAT BARS ARE PLACED ON TOP OF 4 FT. HIGH INCREMENTS OF "JUMPFORM" CONSTRUCTION LIFTS OF THE WALL. AN ADDITIONAL 4"± LENGTH HAS BEEN ADDED TO VERTS FOR PLACEMENT OF MIN LAP TO ACCOMMODATE VARIATION IN LIFT HEIGHTS.
- SEE DWG F01 FOR ORIENTATION OF CARDINAL LINES A, B, C, D, E W/RESPECT TO RECLAIM TUNNEL.
- ALL ARC DIMENSIONS FOR VERT REINF BAR SPACING ARE MEASURED @ CENTERLINE OF WALL (6'-6" RAD) U.N.O.

↑ INDICATES A DIMENSION MEASURED TO T/RECLAIM TUNNEL ROOF, EL 745'-10".

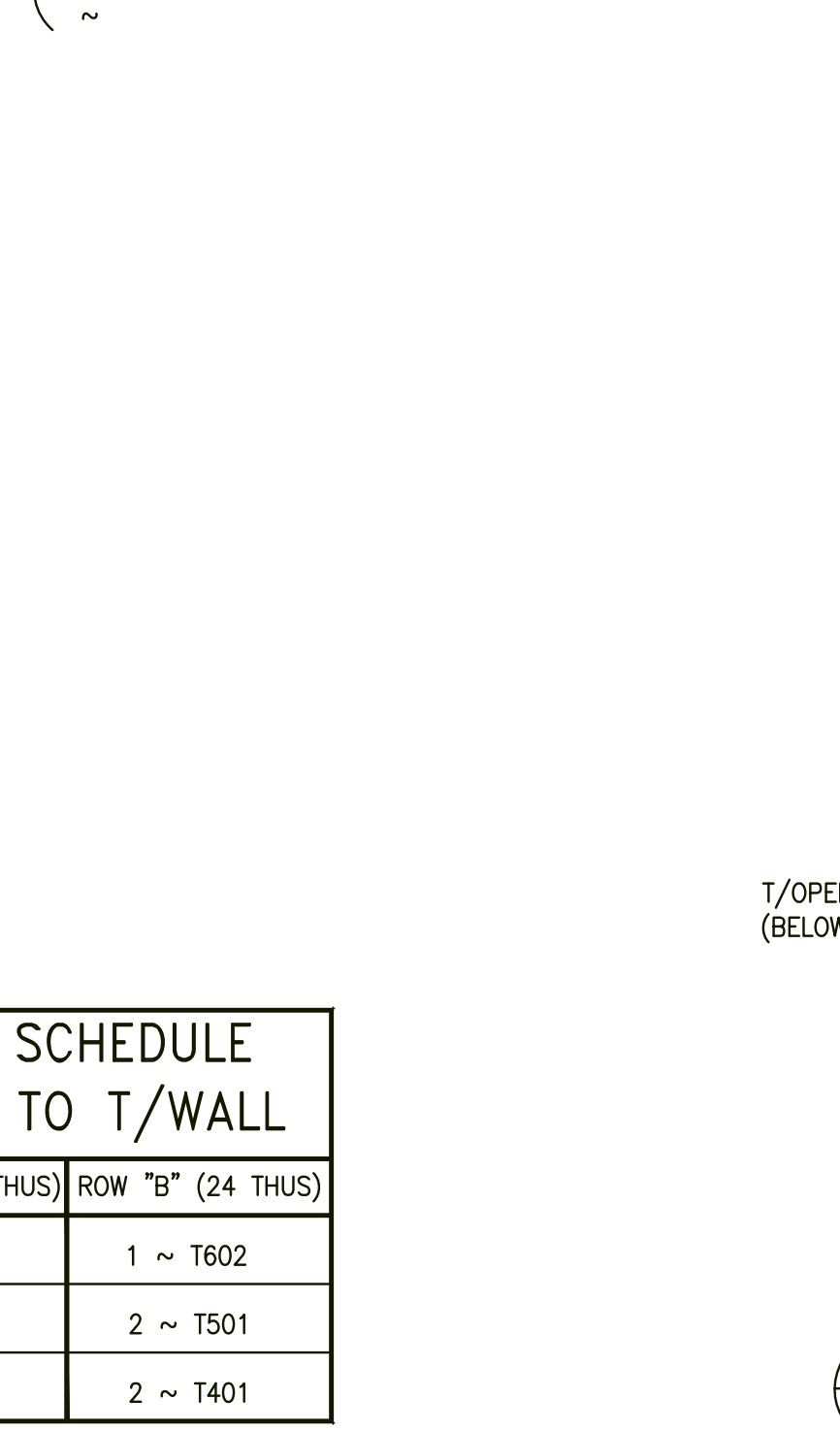
HOOP SCHEDULE		
TYPE	REINF BARS	NOTES
FULL	4~TB405	MIN LAP = 2'-6" - STAGGER LAPS 2'-6" MIN WITH RESPECT TO HOOPS ABOVE AND BELOW
PARTIAL (2 OPGS)	1~TB405 & 1~TB406	MIN LAP = 2'-6" - STAGGER LAPS 2'-6" MIN WITH RESPECT TO HOOPS ABOVE AND BELOW
PARTIAL (4 OPGS)	4~TB406	FIELD CUT I.F. 2" CLEAR OF OPENING AS REQ'D

VERT REINF "BAND" ABOVE AND BELOW OPGS		
"BAND"	NO OF LOCATIONS	REINF BARS PER "BAND"
"A"	2	5 E.F.~ TB404 TIE SETS
"B"	2	3 E.F.~ T603
"C"	2	3 E.F.~T604
"D"	4	3 E.F.~T502
"E"	4	3 E.F.~T402
"F"	2	3 E.F.~T403
"G"	4	5~TB404 TIE SETS

VERT REINF MIN LAPS	
BAR SIZE	MIN LAP
#6	2'-4"
#5	1'-11"
#4	1'-6"

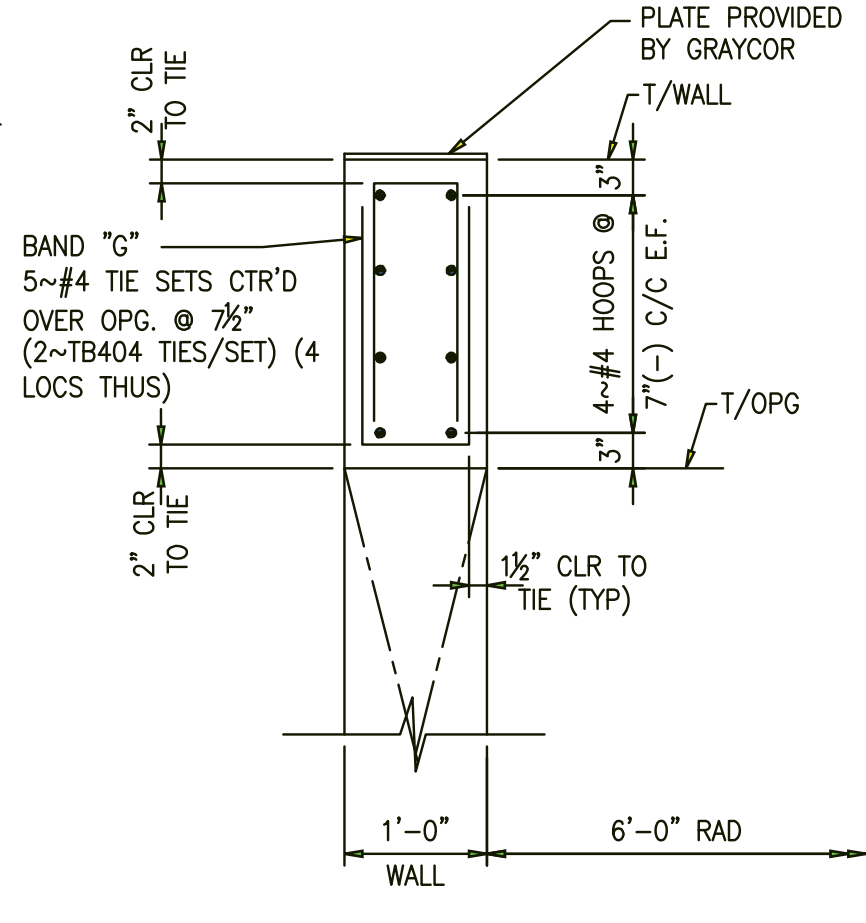
VERT SCHEDULE T/FDN TO T/WALL	
ROW "A" (32 THUS)	ROW "B" (24 THUS)
1 ~ T601	1 ~ T602
2 ~ T501	2 ~ T501
2 ~ T401	2 ~ T401

TYPICAL SECTION THRU TUBE 3/8"=1'-0"

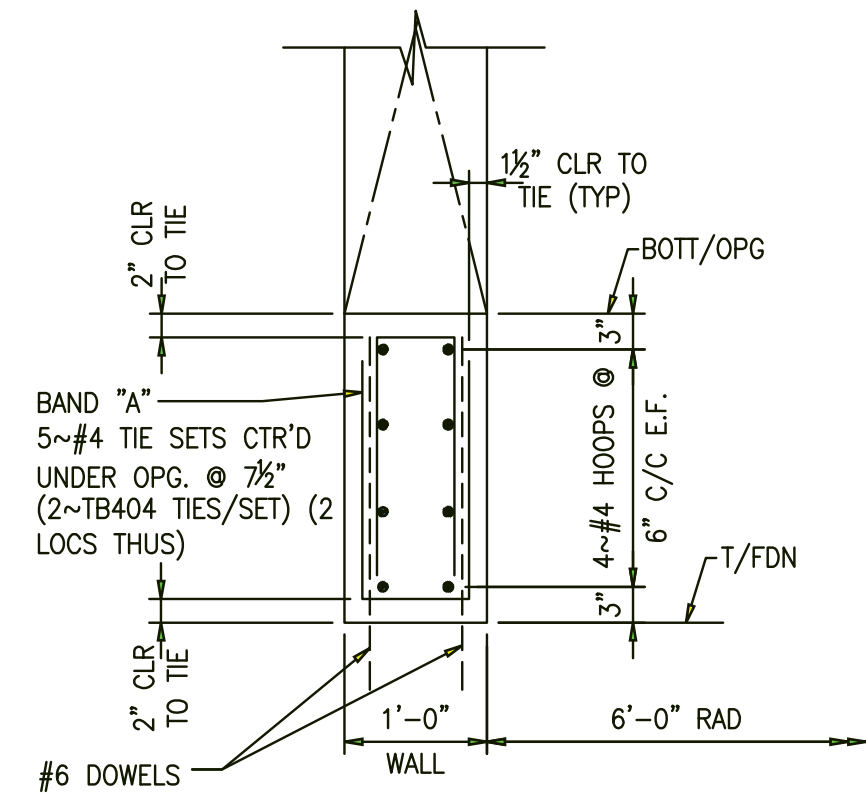


NOTES

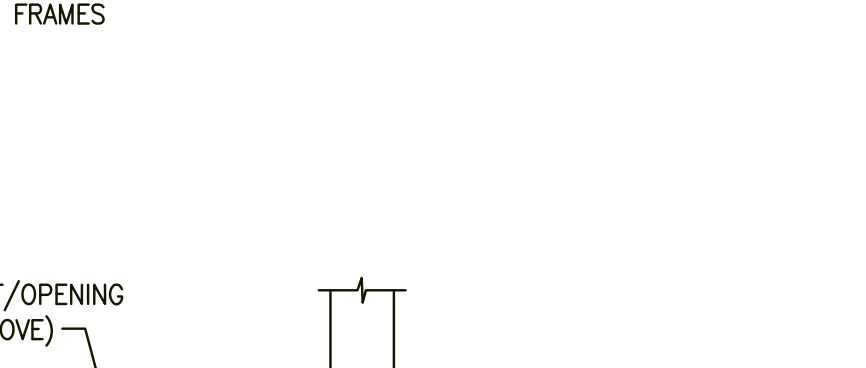
- 1) SEE DWG GN-1 FOR TUBE DESIGN AND OPERATION NOTES.
- 2) SEE DWG F-1 FOR TUNNEL ROOF DOWEL REQUIREMENTS.



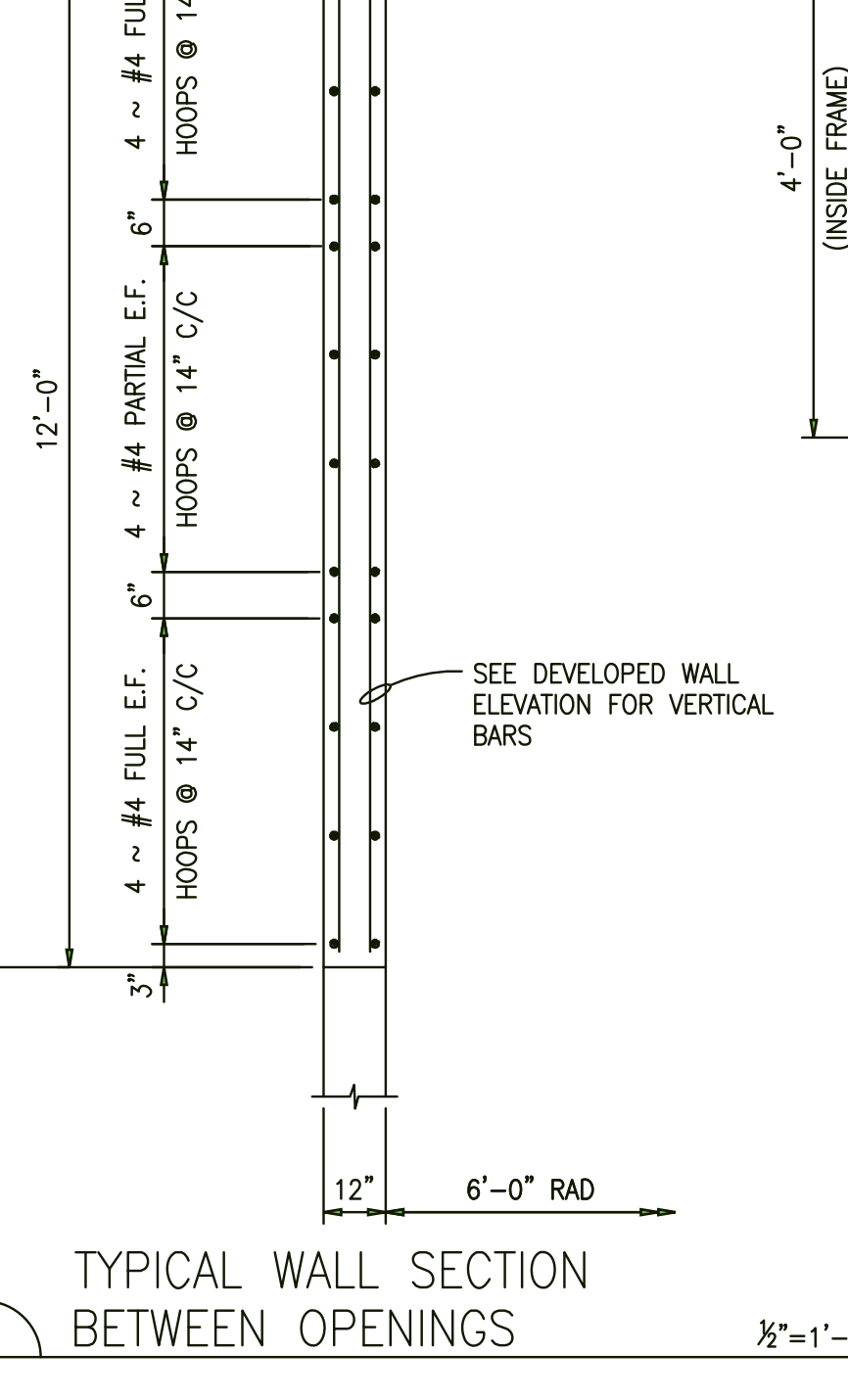
SECTION THRU BAND 'A' 3/8"=1'-0"



SECTION THRU BAND 'A' 3/8"=1'-0"



TYPICAL WALL SECTION BETWEEN OPENINGS 3/8"=1'-0"



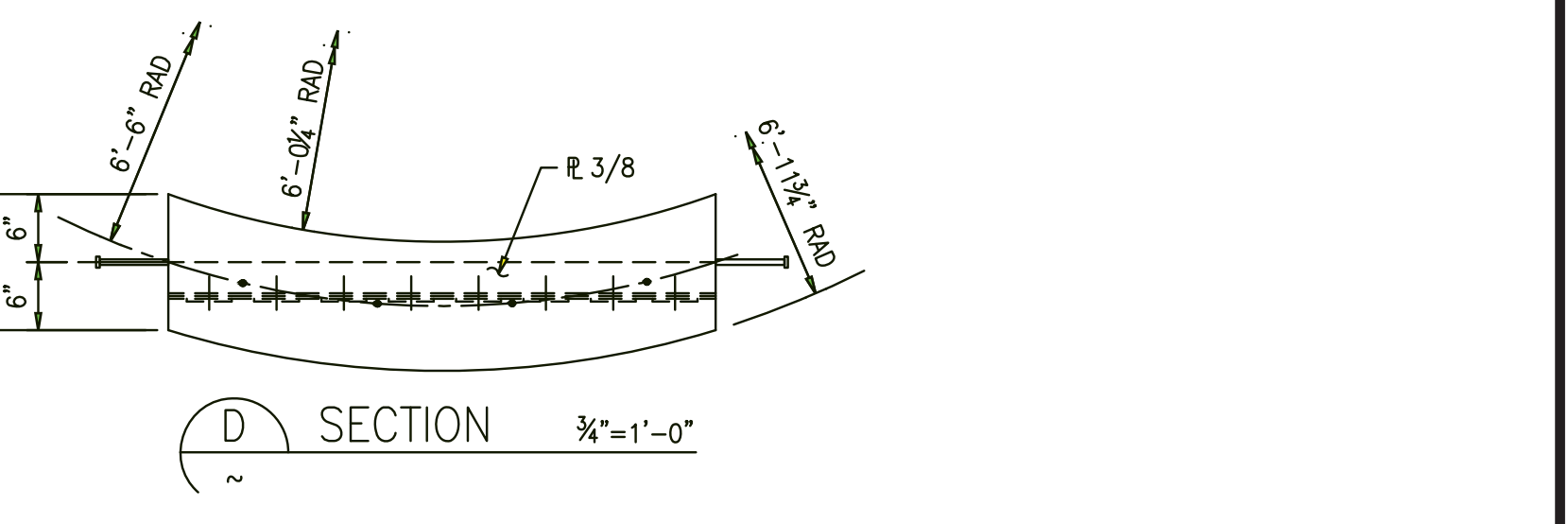
REINFORCING BAR LIST

BAR MARK	BAR QTY	BAR TYPE	BAR SIZE	DIMENSIONS						TOTAL LENGTH	TOTAL WEIGHT
				A	B	G	H	O	R		
T401	112	-	#4							13'-10"	1,035
T402	24	-	#4							11'-10"	190
T403	12	-	#4							3'-10"	31
TB404	60	2	#4	1'-8"	0'-9"	1'-8"				4'-1"	164
TB405	352	9	#4		13'-3"		3'-1 1/8"	11'-0 7/8"	6'-6"	13'-3"	3,116
TB406	128	9	#4		6'-5"		9 1/4"	6'-2"	6'-6"	6'-5"	549
T501	112	-	#5							14'-3"	1,665
T502	24	-	#5							11'-10"	296
T601	32	-	#6							18'-8"	898
T602	24	-	#6							14'-8"	529
T603	12	-	#6							9'-10"	177
T604	12	-	#6							11'-10"	213

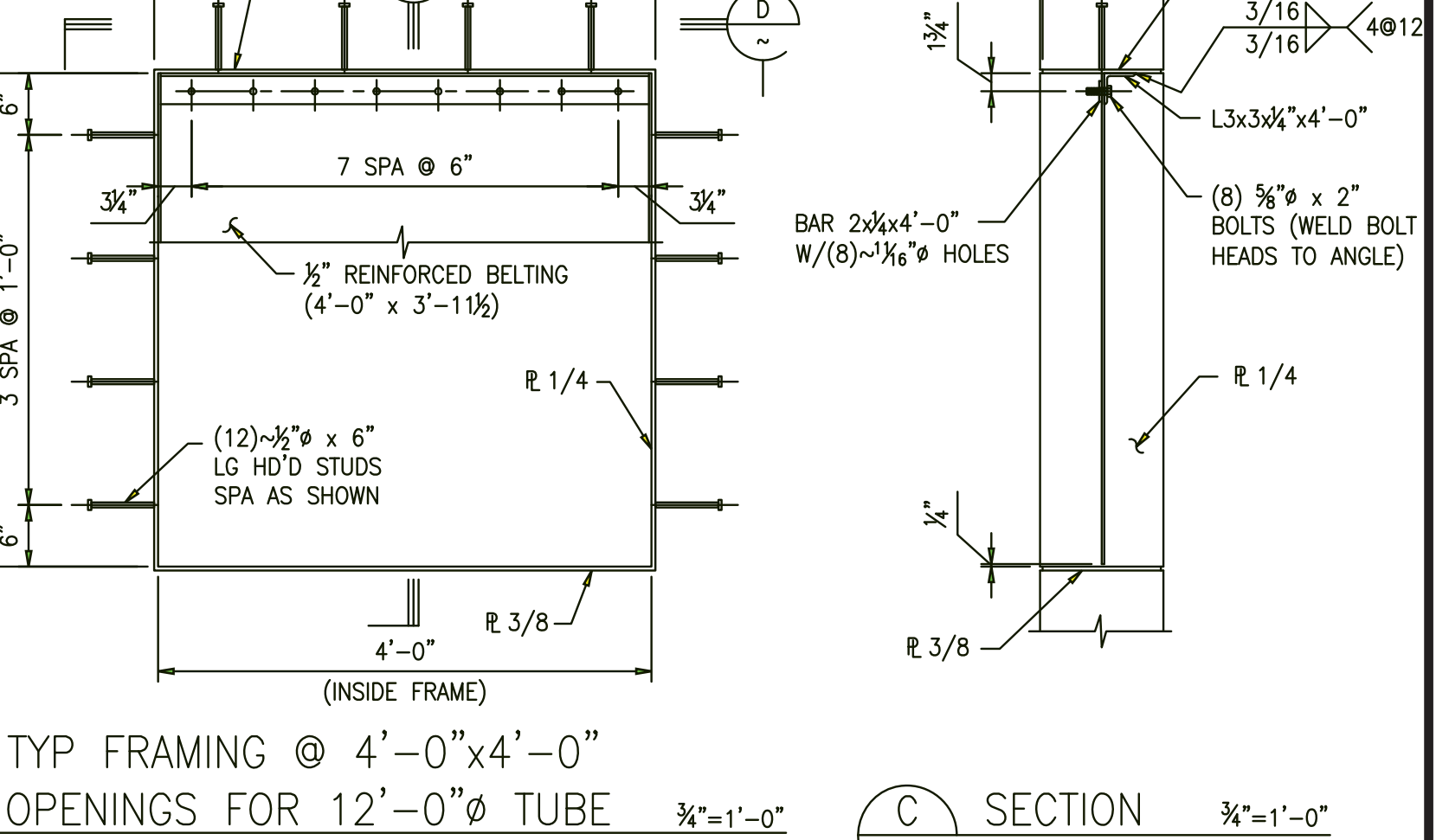
• ALL REINFORCING SHALL HAVE A MIN YIELD STRENGTH Fy = 60 KSI (ASTM-A615).

• ALL DIMENSIONS ARE "OUT - TO - OUT" OF BAR.

TOTAL WEIGHT 8,863 #



TYP FRAMING @ 4'-0" x 4'-0" OPENINGS FOR 12'-0" Ø TUBE 3/8"=1'-0"



PRELIMINARY NOT FOR CONSTRUCTION

Marietta SILOS
 2417 WATERFORD RD.
 MARIETTA, OHIO 45750
 740-373-2822
 740-376-2635 FAX
 PROJECT #0512