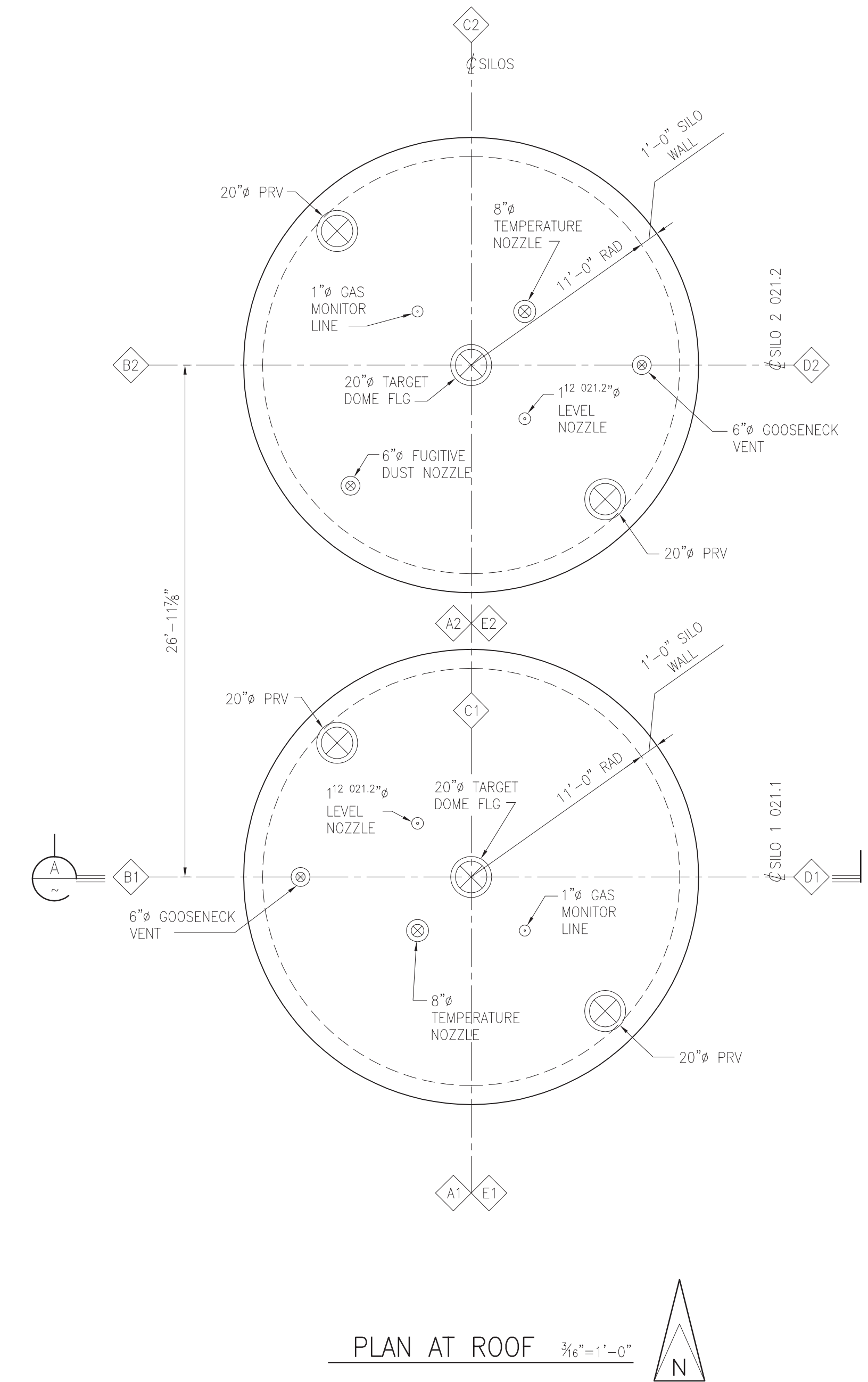
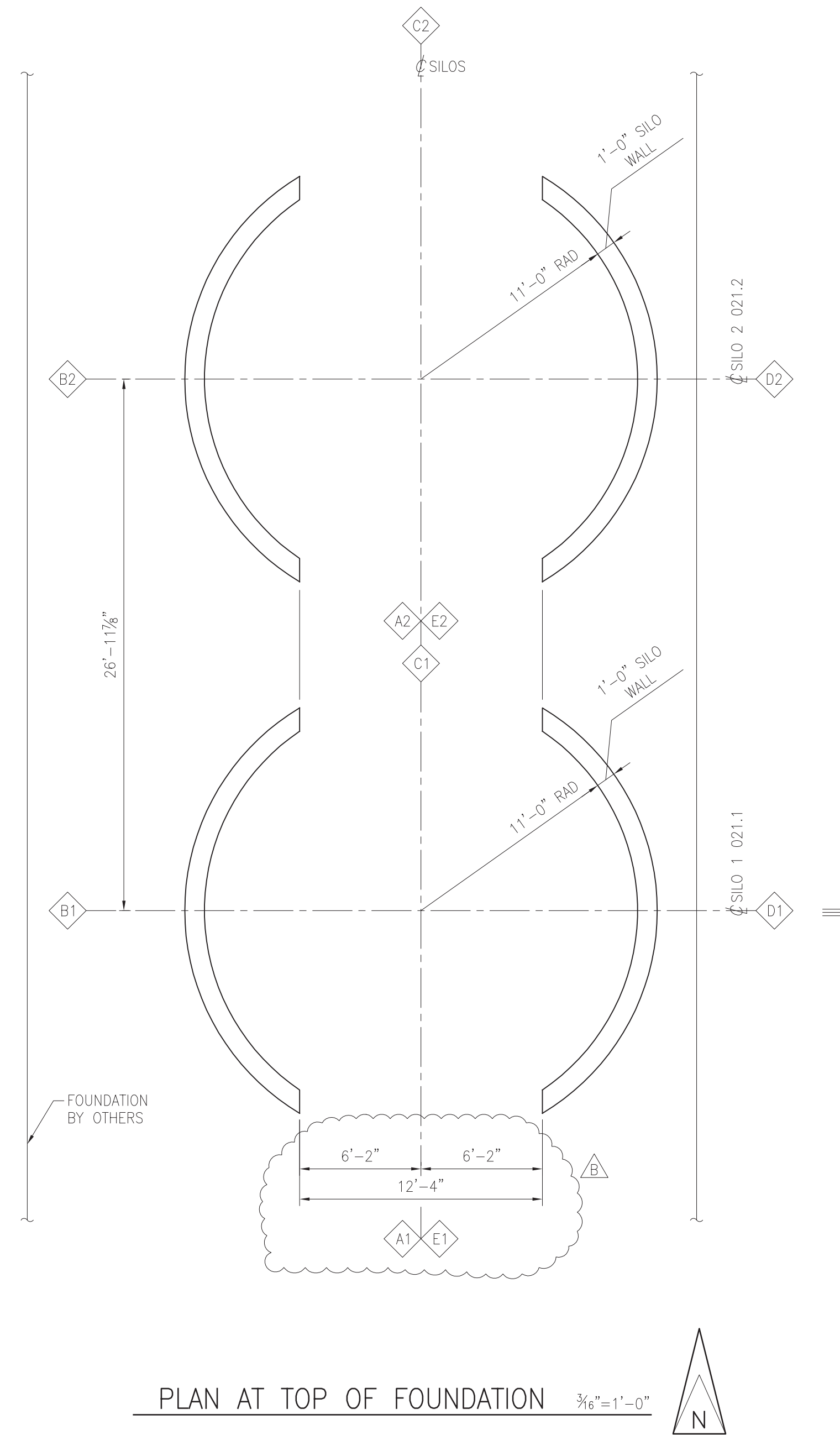
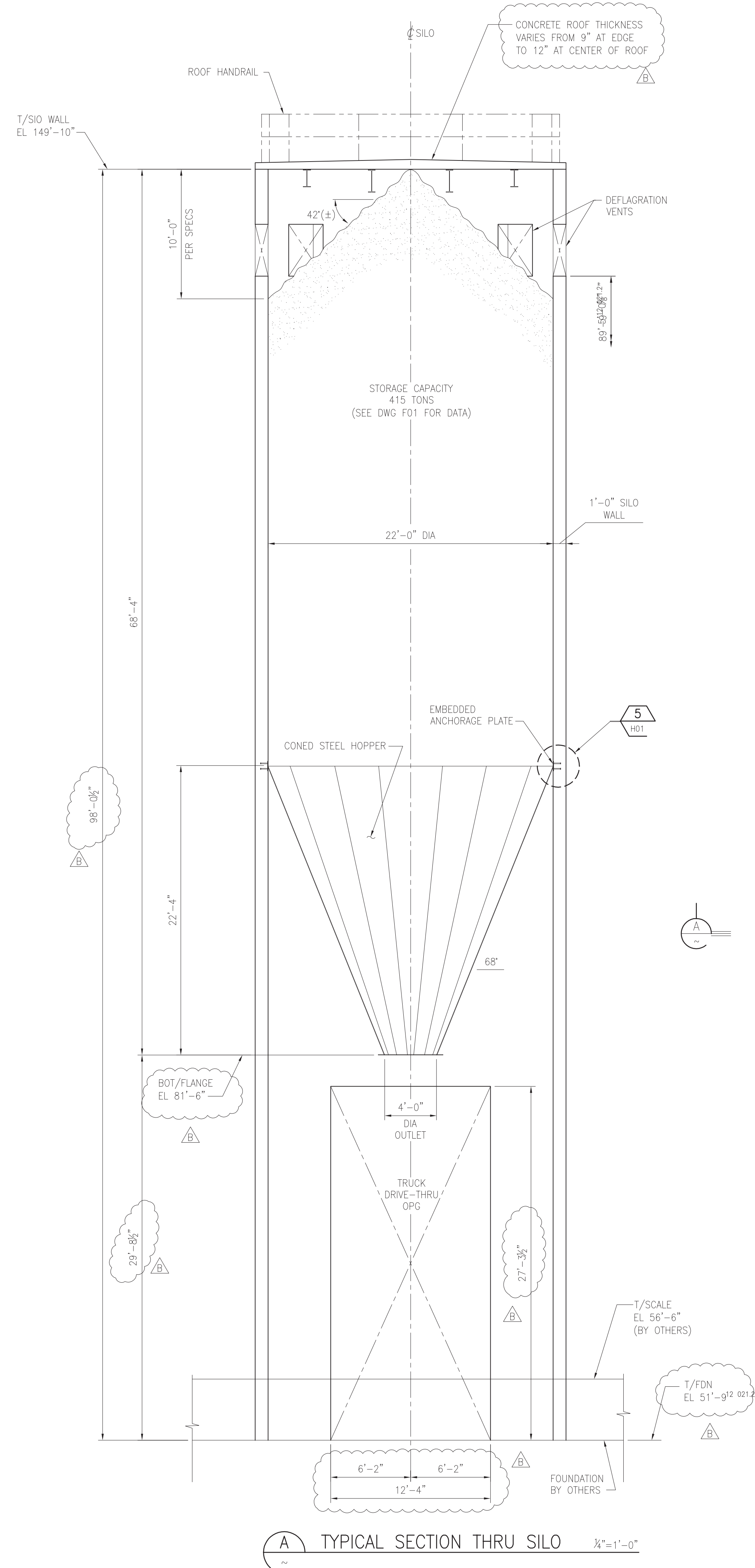


DRAWING INDEX

GA01	GENERAL ARRANGEMENT
GN01	GENERAL NOTES
F01	FOUNDATION LOADS
W01	SILO 1 021.1 DEVELOPED SILO WALL W/REINFORCEMENT
W02	SILO 2 021.2 DEVELOPED SILO WALL W/REINFORCEMENT
W03	SILO WALL SECTIONS, DETAILS AND BAR LIST
W04	SILO 1 021.1 DEVELOPED SILO WALL W/EMBEDS & DETAILS
W05	SILO 2 021.2 DEVELOPED SILO WALL W/EMBEDS & DETAILS
W06	SILO WALL HOPPER ANCHORAGE PLATE
H01	HOPPER ELEVATION
R01	SILO 1 021.1 & 2 021.2 ROOF FRAMING PLANS
R02	ROOF FRAMING SECTIONS & DETAILS
R03	SILO 1 021.1 & 2 021.2 ROOF SLAB PLANS
R04	SILO 1 021.1 & 2 021.2 ROOF SLAB PLANS w/REINF.
R05	SILO 1 021.1 & 2 021.2 ROOF HANDRAIL PLANS & SECTIONS



PRELIMINARY
NOT FOR
CONSTRUCTION

Marietta
SILOS

2417 WATERFORD RD.
MARIETTA, OHIO 45750

740-373-2822
740-376-2635 FAX

PROJECT #0512